

MR 型避震器安裝說明

MR isolator installation guide

安裝前，請確認避震器之型號規格是否正確。

Before installation, make sure the model and the specification are correct.



安裝說明

Installation guide

- 所需工具：公制口徑開口扳手、水平尺、爪式千斤頂。

Required tools: open wrench, level bar, and claw jack.

1. 清除地板上所有的油脂和碎屑。

Clean all the grease and debris on the floor.

2. 將機器設備移動至定位並抬高到可以放入避震器的高度。

Moving the equipment to the correct position and lift up to a height that can be placed in the isolator.

3. 移除避震器上的調整螺栓，將華司及螺母鎖入調整螺栓。

Remove the adjustment bolts from the isolator, then lock the washer and nut with the adjusting bolt.

4. 將避震器定位，並將調整螺栓穿過機器腳孔鎖入避震器。

Position the isolator and insert the adjustment bolts into the holes of machine feet and isolator.

5. 調整各個螺栓，使避震器外殼底部離地約5mm。

To adjust each bolts of isolators to make sure that bottom housing about 5mm.

6. 將設備放下使各個避震器能夠承受到荷重。

Put down the equipment to each isolator to withstand the loading.

7. 鎖緊螺母和墊圈，確保設備和避震器固定。

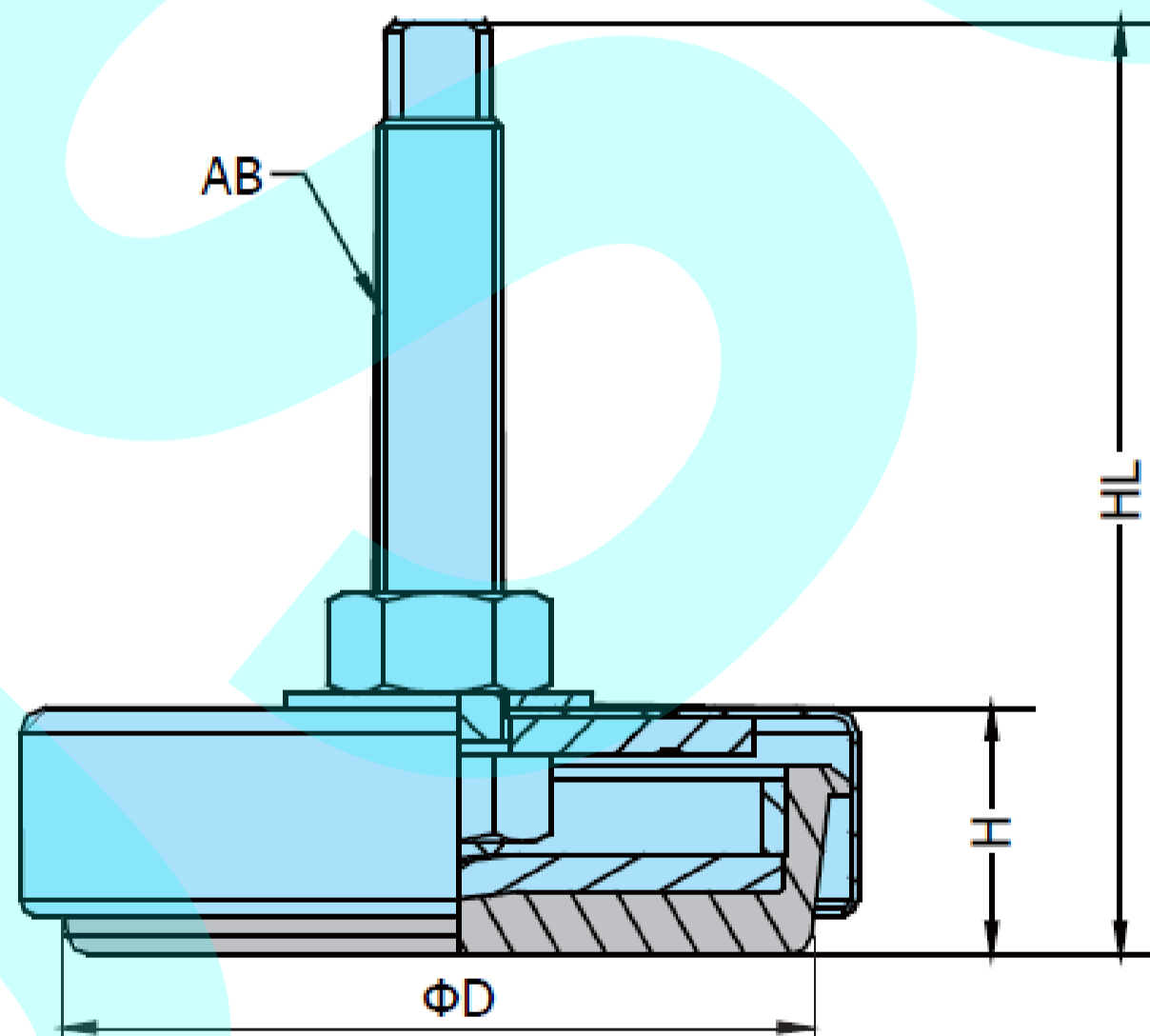
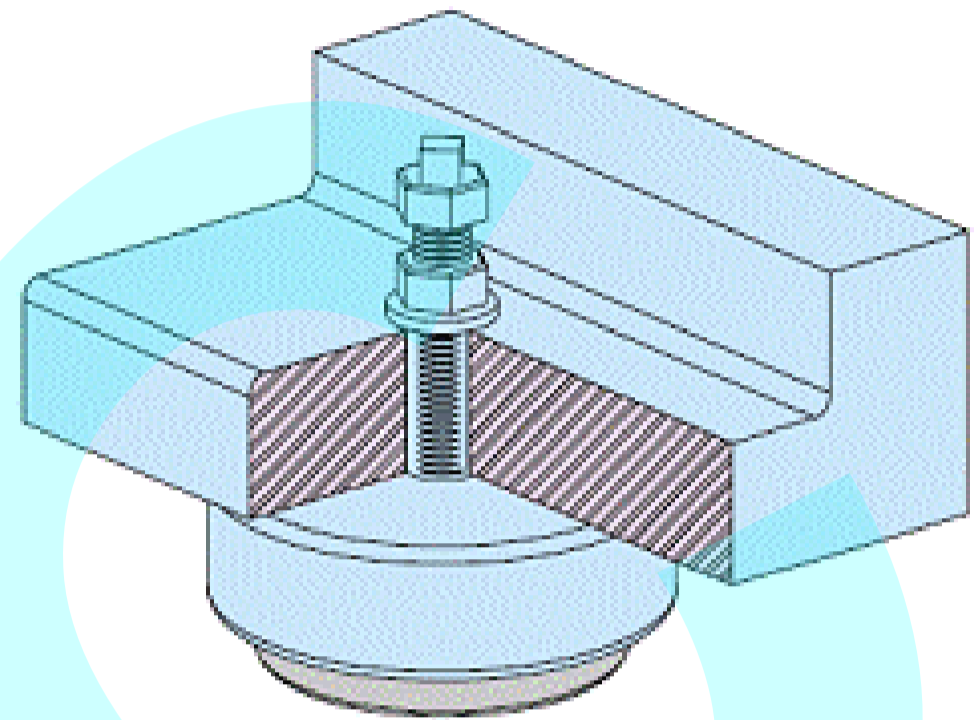
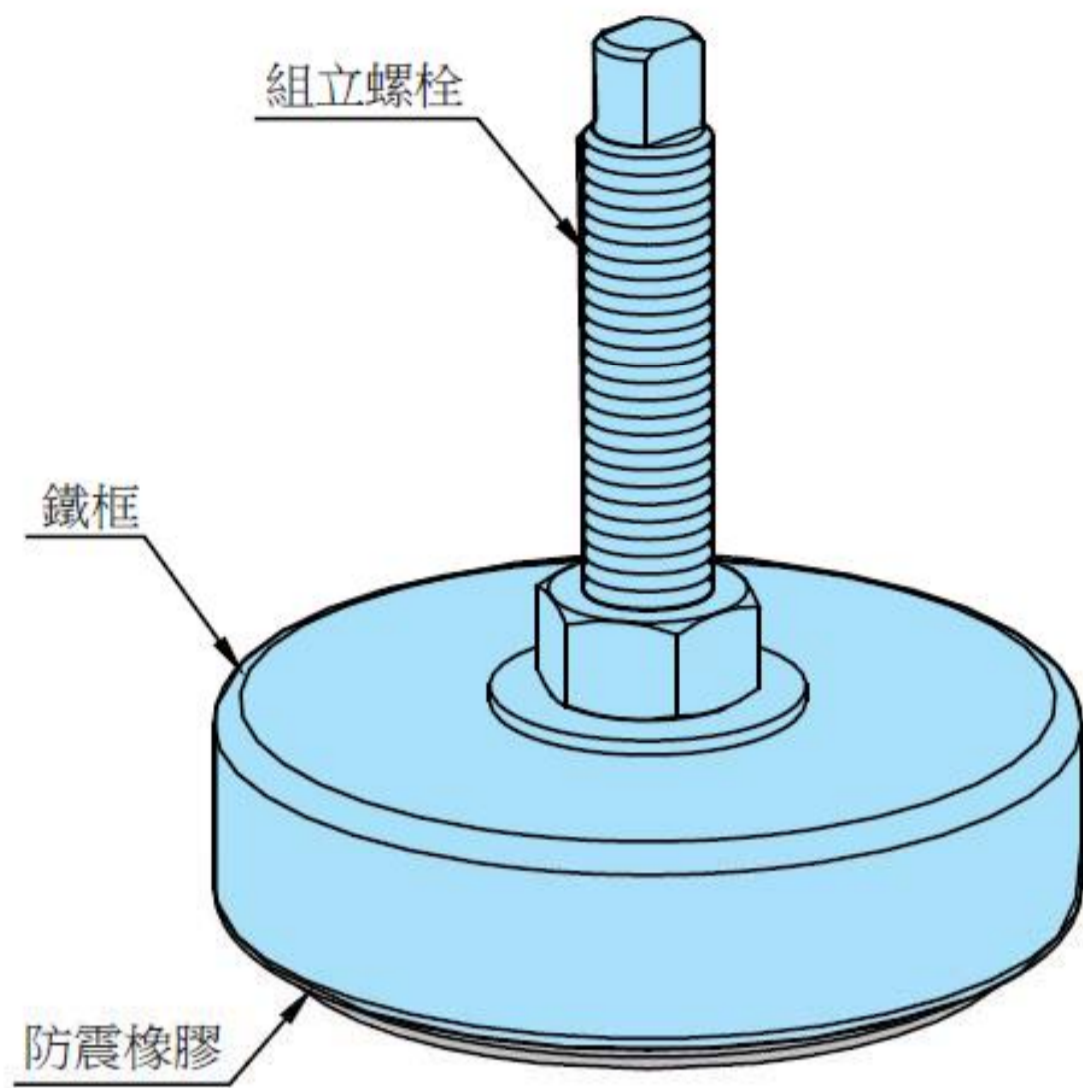
Fasten the nuts and washers, and make sure the equipment are fixed on isolator.

8. 安裝2至24小時後重新檢查避震器高度，以確保外殼不會與地面接觸。

2 to 24 hours after installation to re-check the height of the isolator to ensure that the cover will not be able to contact the ground.

MR 型避震器安裝說明

MR isolator installation guide



| 型號 | 尺寸 (mm) | | | | 荷重 (Kg) | |
|--------|---------|----|-----|-----|---------|------|
| | D | H | HL | AB | Min | Max |
| MR-80 | 80 | 33 | 108 | M12 | 200 | 500 |
| MR-120 | 120 | 40 | 167 | M16 | 500 | 1500 |
| MR-160 | 160 | 53 | 180 | M22 | 1500 | 2800 |
| MR-200 | 200 | 60 | 225 | M30 | 2800 | 4000 |

※保養點檢項目：每月觀察固定螺栓保持鎖固、保持避震器安裝狀態&橡膠下壓撓度正常。

Maintenance checking points: Keep the bolt fasten, isolator installation, and rubber deflection stay in normal every month.