

JRN 型避震器安裝說明

JRN isolator installation guide

安裝前，請確認基座之型號規格是否正確。

Before installation, make sure the model and the specification are correct.



安裝說明

Installation guide

- 所需工具：公制口徑24mm (M16)開口扳手、水平尺、爪式千斤頂。

Required tools: 24mm(M16) open wrench, level bar, and claw jack.

- 可先行放置與避震器高度相同的臨時木台於設備安裝處，再安裝設備。(如圖1)

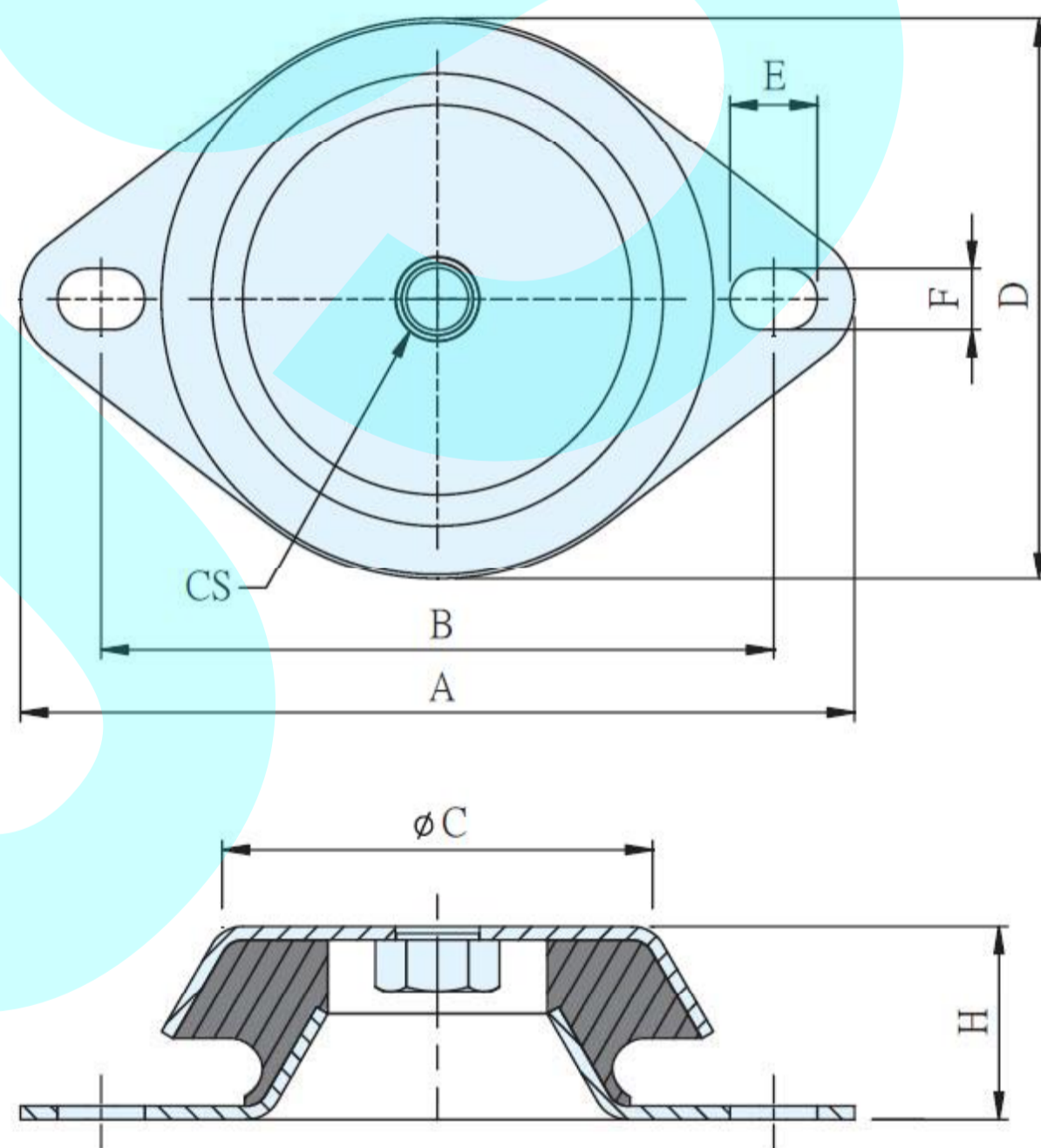
Place the wooden panel with the same height as the isolator on the installation before installing (Fig 1).

- 將避震器放置於與設備的正確安裝位置。(如圖2)

Place the isolator on the installation location (Fig 2).

- 以M16固定螺栓組將避震器與設備固定，但不鎖緊。(如圖3)

Fasten the isolator and the equipment with M16 fixed bolt sets without locking them (Fig 3).



型號 Type	A mm	B mm	C mm	D mm	E mm	F mm	H mm	CS	適用撓度 Suggested deflection mm	橡膠硬度 Rubber hardness Shore A	彈性係數 Elasticity Kg/mm	荷重範圍 Loading range Kgs
JRN-500	186	150	96	125	20	14	43	M16	5	55	133	450~750
JRN-1000	186	150	96	125	20	14	43	M16	5	65	208	800~1000

JRN 型避震器安裝說明

JRN isolator installation guide

安裝說明

Installation guide

- 並以M12-基礎螺栓將避震器固定於基礎(客戶自己提供)(如圖4)

Fasten the isolator on the foundation with M12 foundation bolt (provided by customers) (Fig 4).

- 利用爪式千斤頂頂高設備將臨時木台可取出時即可。(如圖5)

Apply claw jack to remove the wooden panel (Fig 5).

- 將M16固定螺栓確實與設備鎖緊，即完成避震器之安裝。(如圖6)

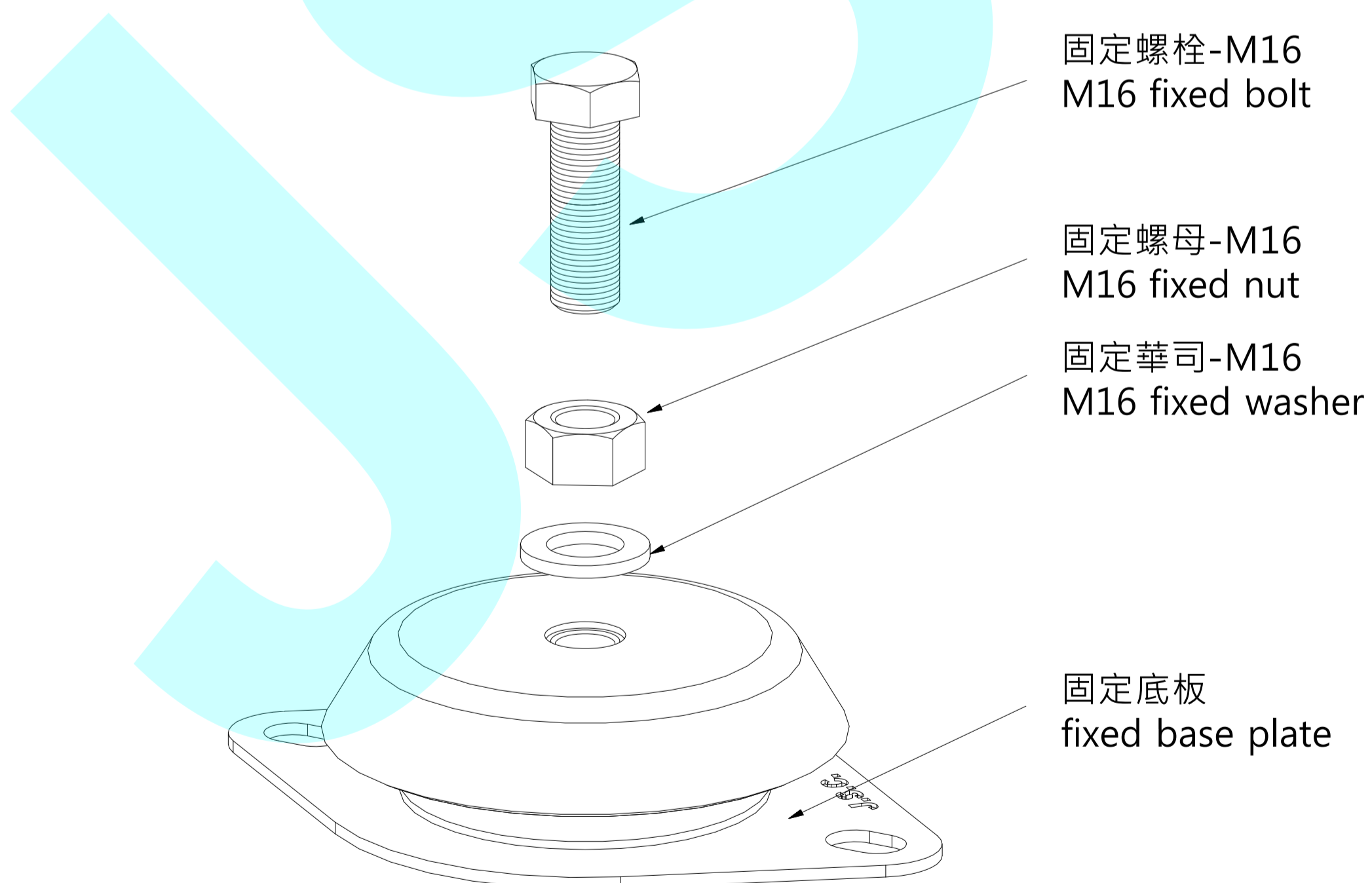
After the adjustment, lock the isolator with M16 fixed bolt (Fig 6).

- 安裝後請檢查上鐵蓋&固定鐵板間隙，如間隙 $< 5\text{mm}$ 表示荷重不足。應予更換較大荷重之規格，並請洽本公司業務人員。

Check upper iron lid and the gap between the fixed plates after the installation. If the gap appears less than 5mm, please replace with bigger loading by contacting our staff.

- 安裝時，請注意安全。

Be cautious during the installation.



※保養點檢項目：每月觀察固定螺栓保持鎖固、保持避震器安裝狀態&橡膠下壓撓度正常。

Maintenance checking points: check the height of the mounts and maintain the the installation of the mounts and the deflection of the rubber monthly.

JRN 型避震器安裝說明

JRN isolator installation guide

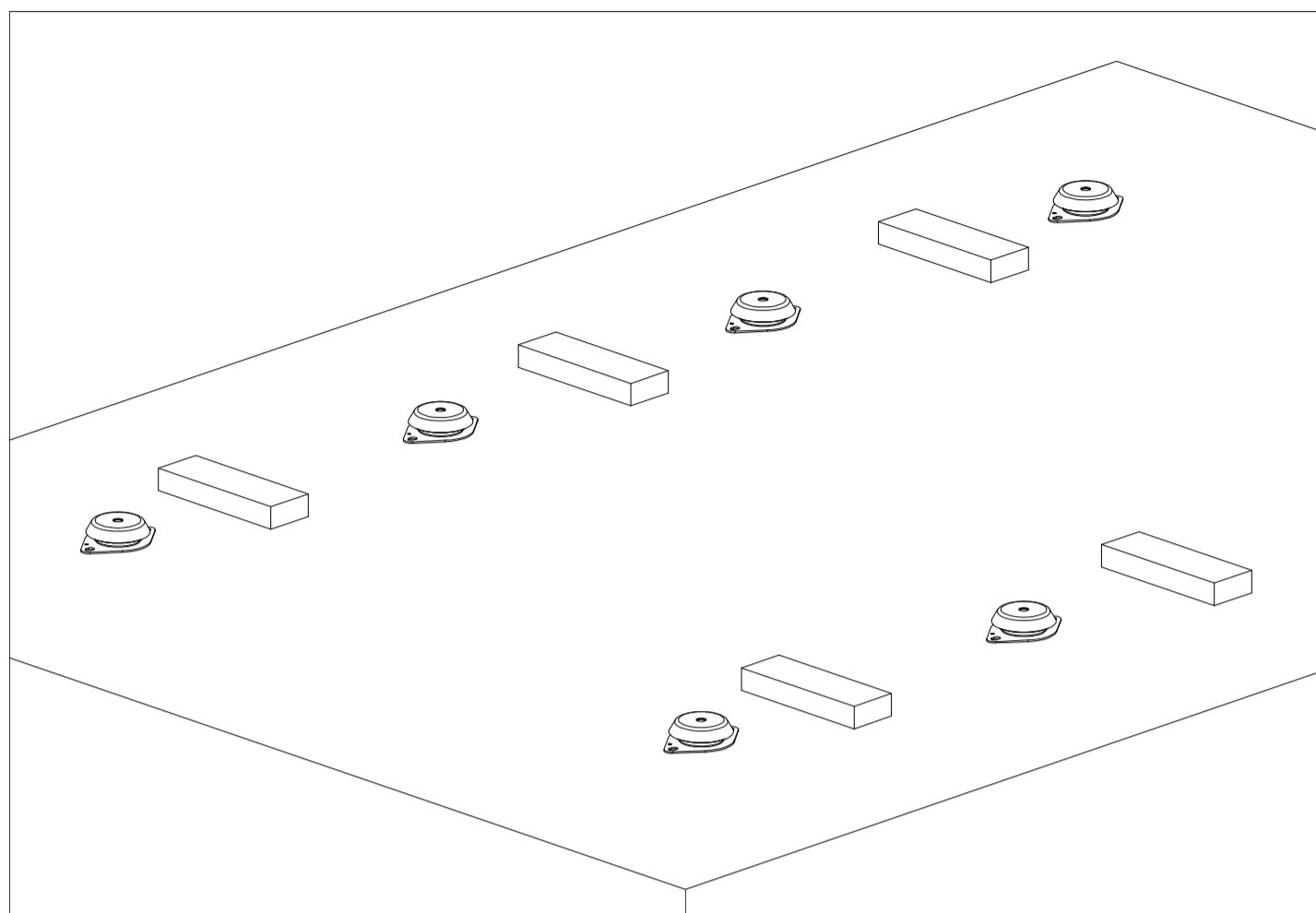


圖1) 安裝設備時可先放置與避震器相同高度之臨時木台。

Fig 1) Place the wooden panel with the same height as the isolator on the installation before installing.

圖2) 將避震器放置於與設備的正確安裝位置。

Fig 2) Place the isolator on the installation location.

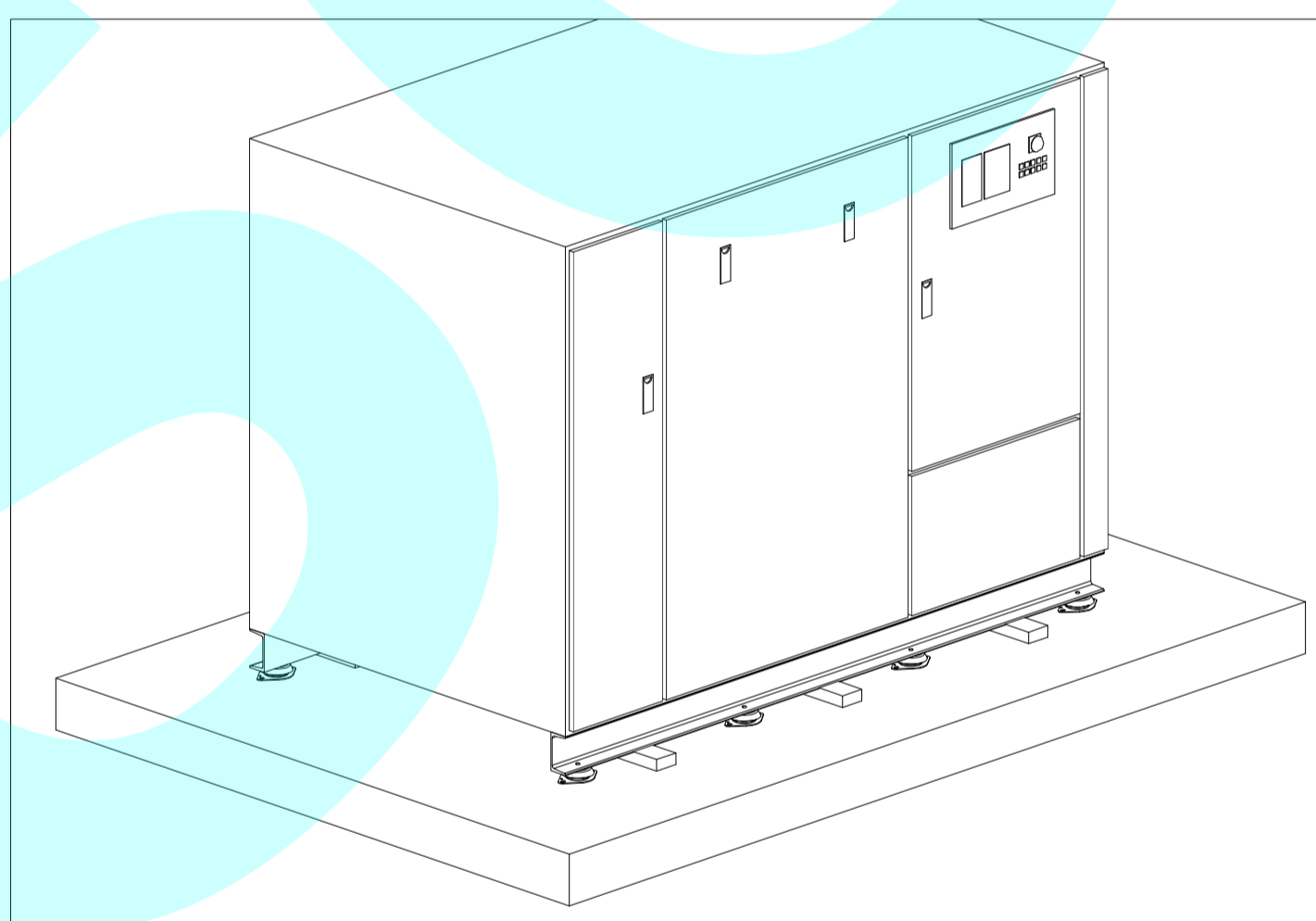
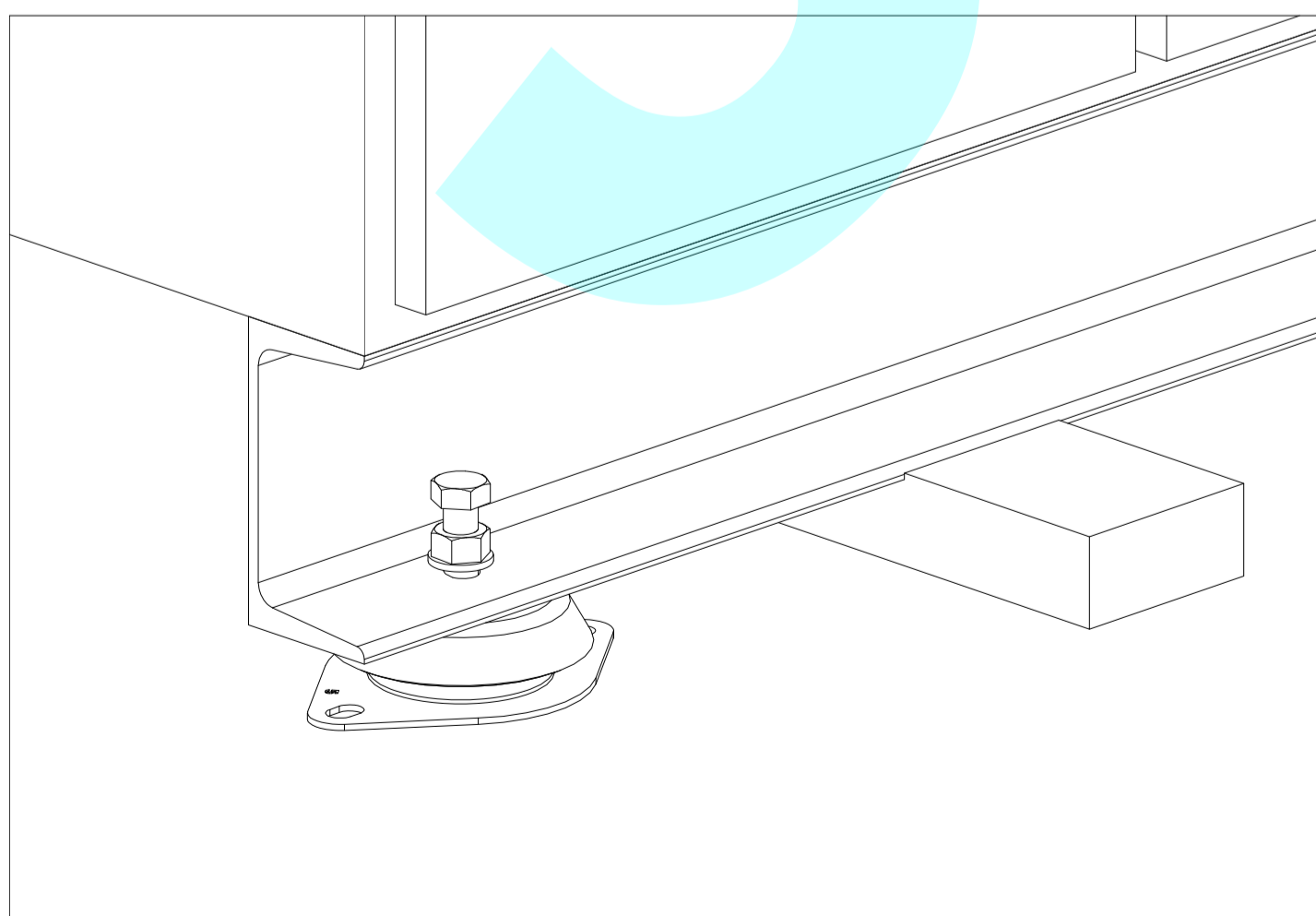


圖3) 以M16固定螺栓組將避震器與設備固定，但不鎖緊。

Fig 3) Fasten the isolator and the equipment with M16 fixed bolt sets without locking them.



JRN 型避震器安裝說明

JRN isolator installation guide

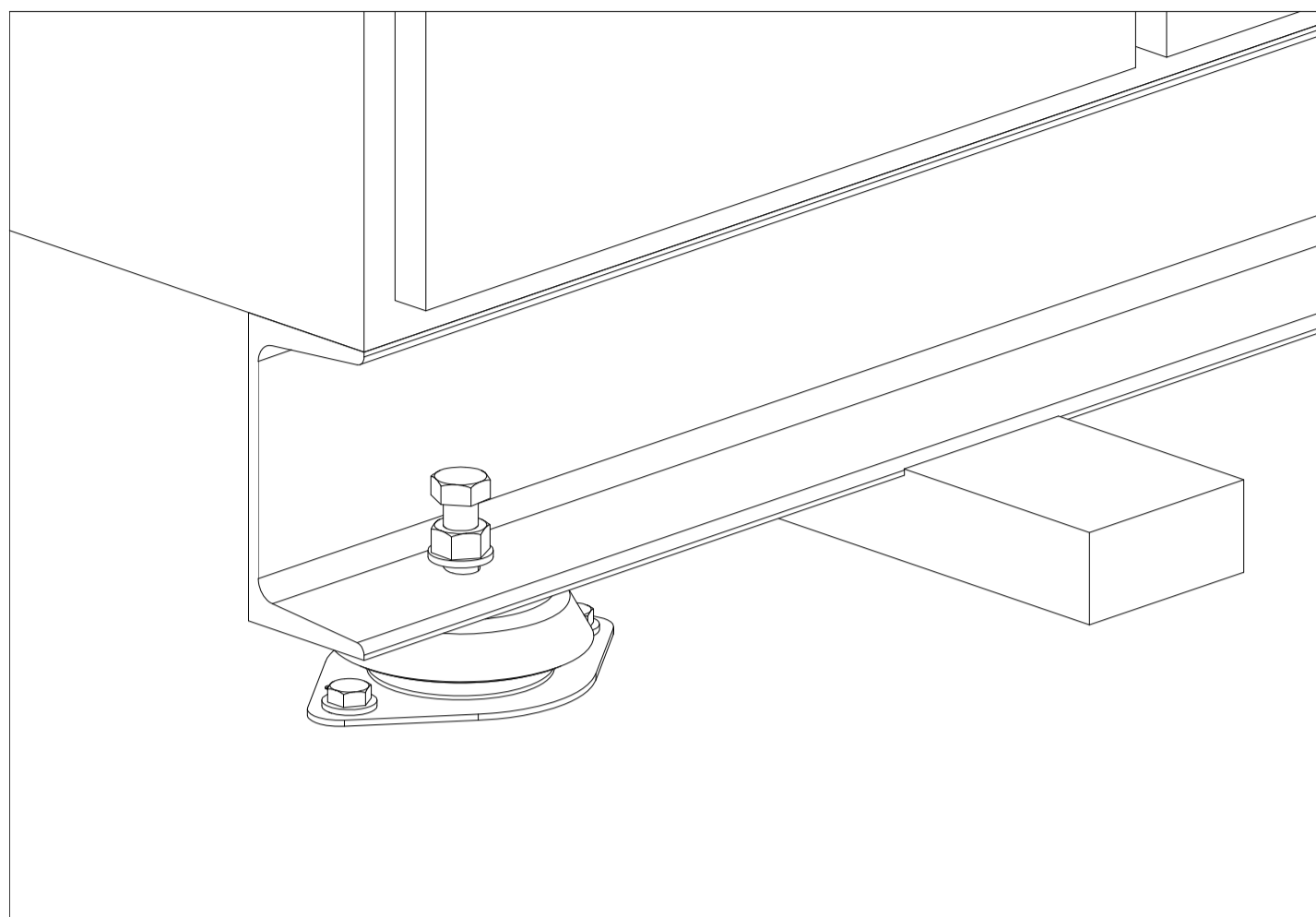


圖4)並以M12-基礎螺栓將避震器固定於基礎
Fig 4) Fasten the isolator on the foundation with M12 foundation bolt.

圖5)利用爪式千斤頂頂高設備將臨時木台可取出即可，此時避震器會下壓。

Fig 5) Apply claw jack to remove the wooden panel and to press down the isolator.

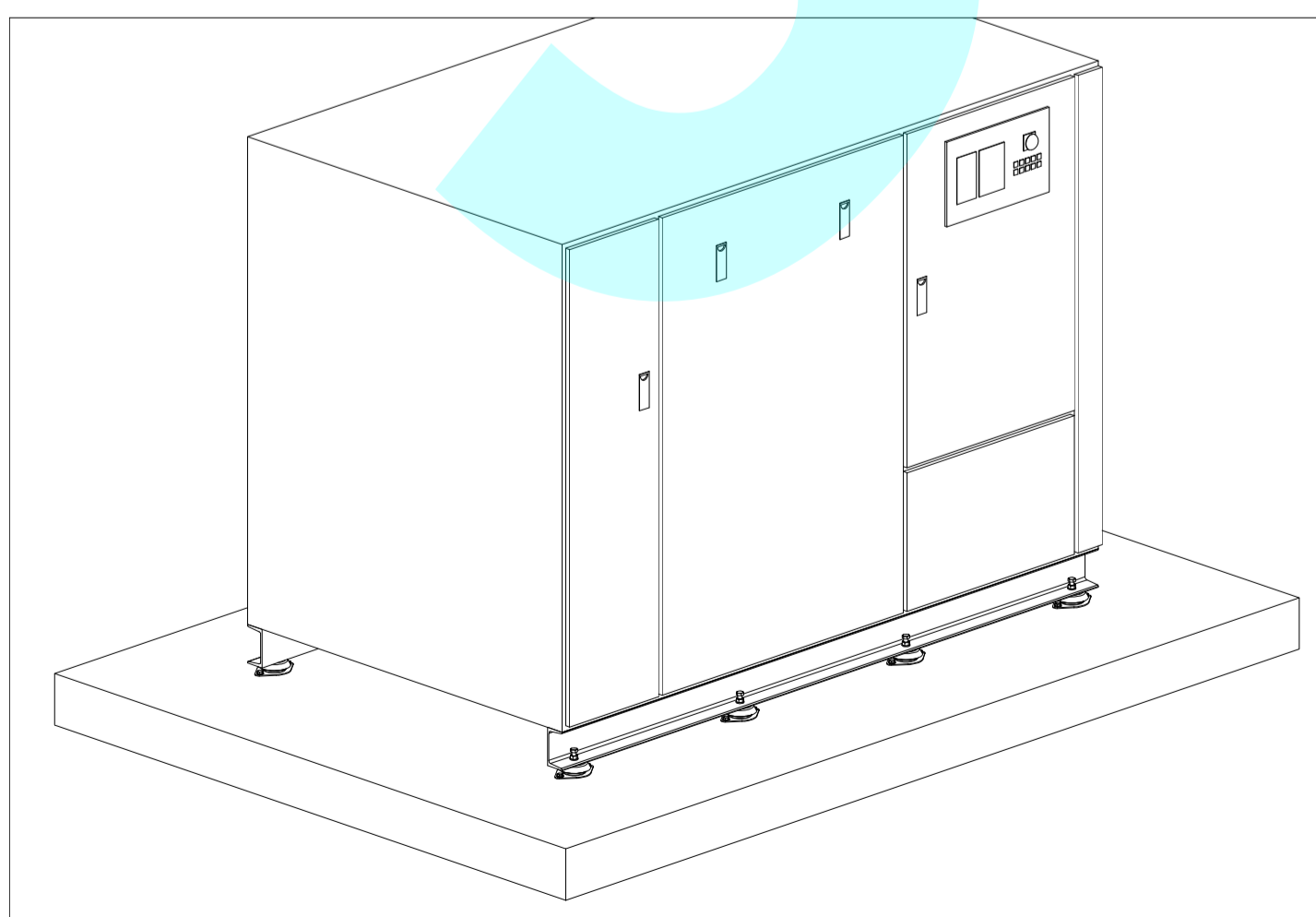
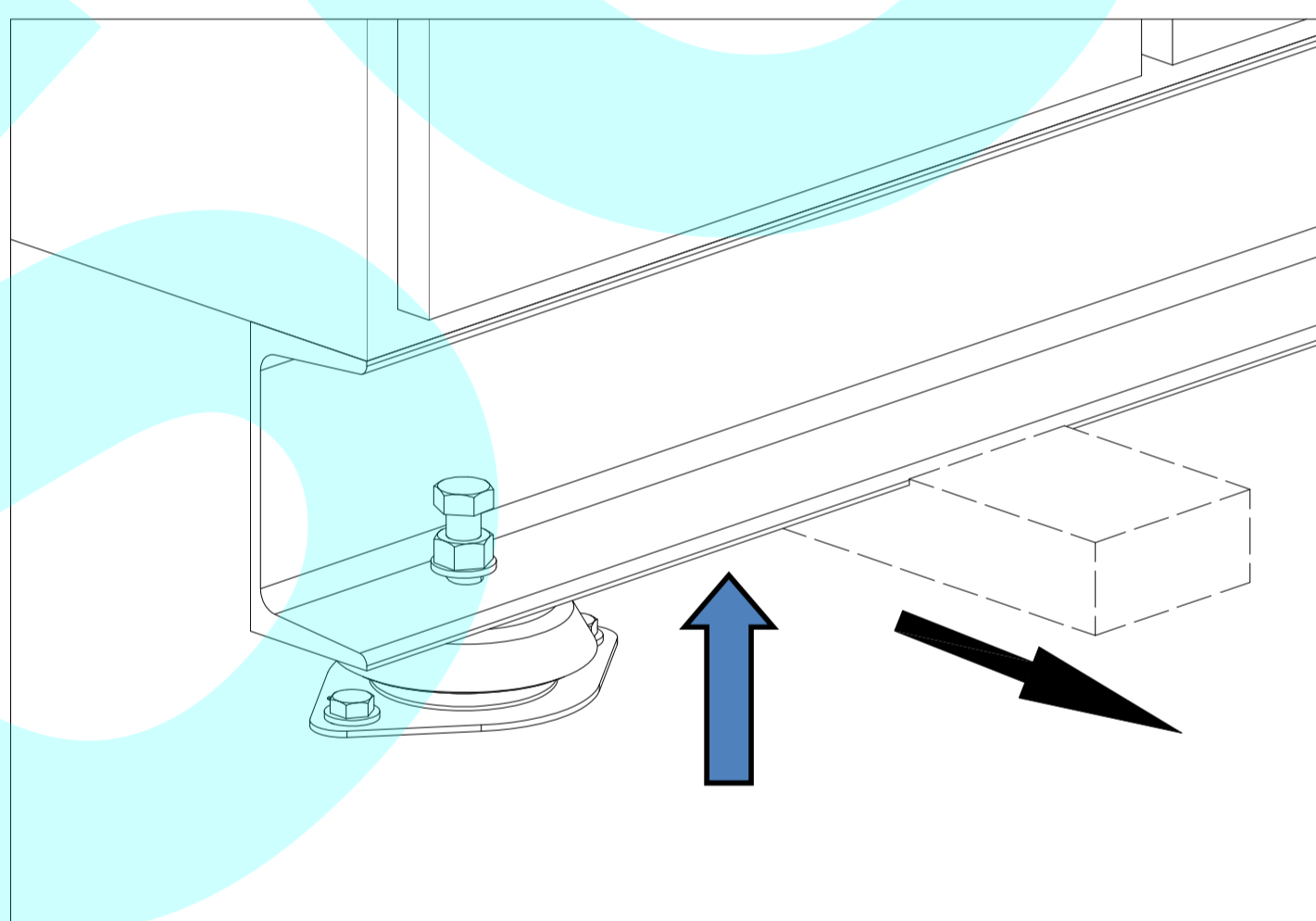


圖6)將M16固定螺栓確實與設備鎖緊，即完成避震器之安裝。

Fig 6) After the adjustment, lock the isolator with M16 fixed bolt.