

JRA 型避震器安裝說明

JRA isolator installation guide

安裝前，請確認避震器之型號規格是否正確。

Before installation, make sure the model and the specification are correct.

安裝說明

Installation guide

- 所需工具：公制口徑開口扳手14mm (M8), 17mm (M10), 19mm (M12), 24mm (M16)。

Required tools: open wrench.

- 檢查附件是否齊全，避震器有無缺陷破損。(如圖1)

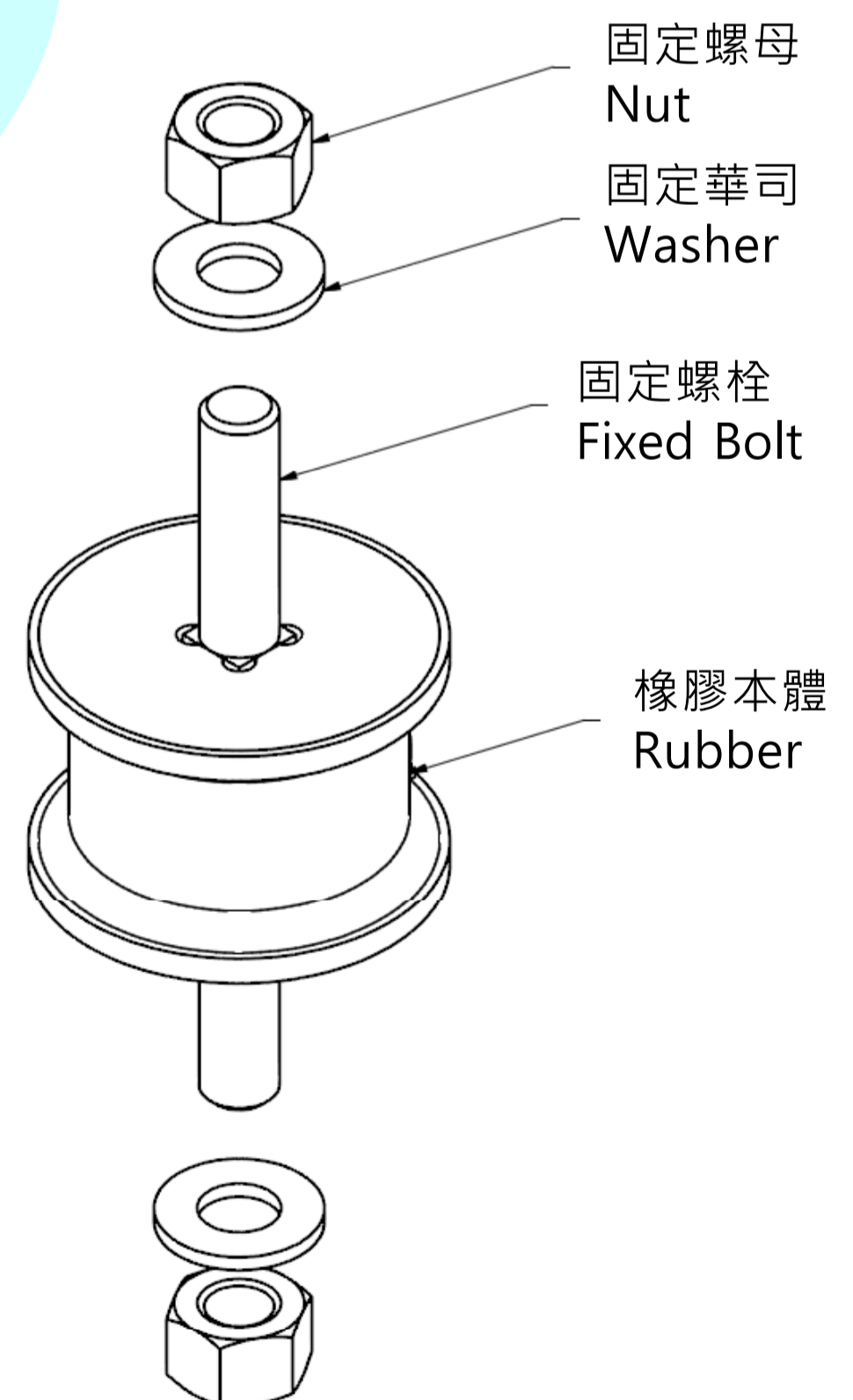
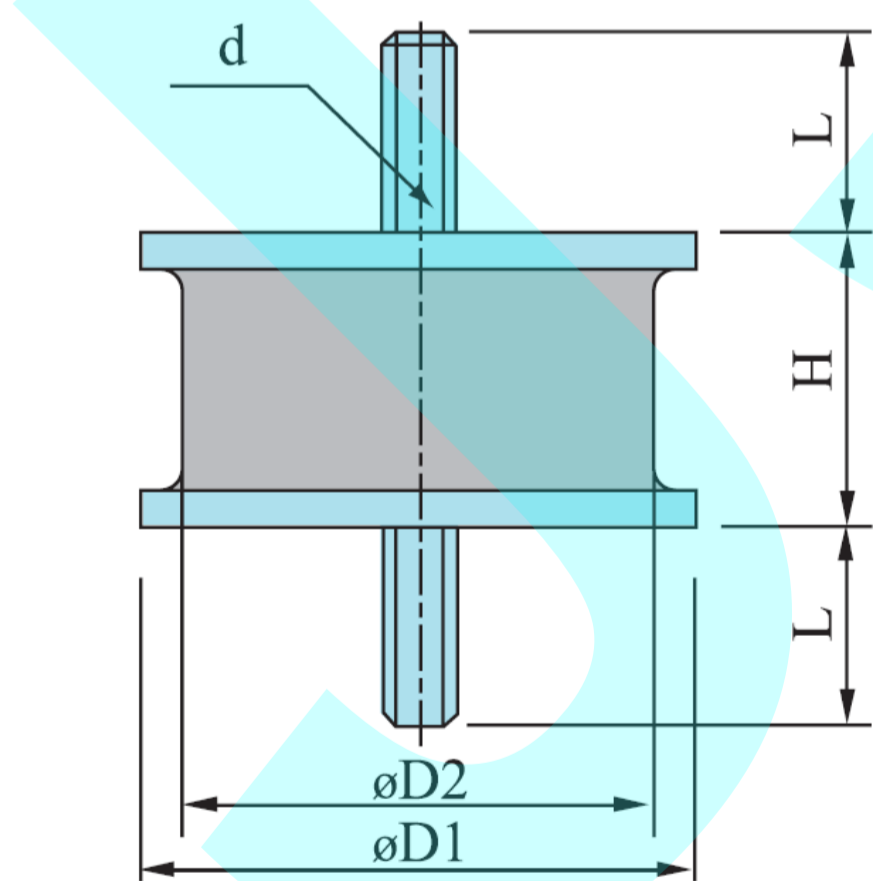
Check out the isolator and other accessories see if they are all complete or having any defects (Fig 1).

- 將避震器放置於與設備的正確安裝位置。(固定螺栓需與設備孔、基礎孔成垂直一線，不可偏移)(如圖2)

Place the isolator on the correct installation position. Fix bolt and equipment foundation holes need to be vertical (Fig 2).

- 鎖緊螺母和墊圈，確保設備和避震器固定。(如圖3)

Fasten the nuts and washers to ensure the equipment feet holes are fixed to the isolator (Fig 3).



型號 Type	尺寸 Dimension(mm)					荷重 Load (Kgs)	
	D1	D2	H	d	L	Min	Max
JRA-40	42	34	28	M8	28	30	100
JRA-60	62	52	37	M10	37	100	200
JRA-80	82	70	46	M12	47	200	500
JRA-120	122	110	61	M16	55	500	1000
JRA-160	162	150	66	M20	64	1000	1500

JRA 型避震器安裝說明

JRA isolator installation guide

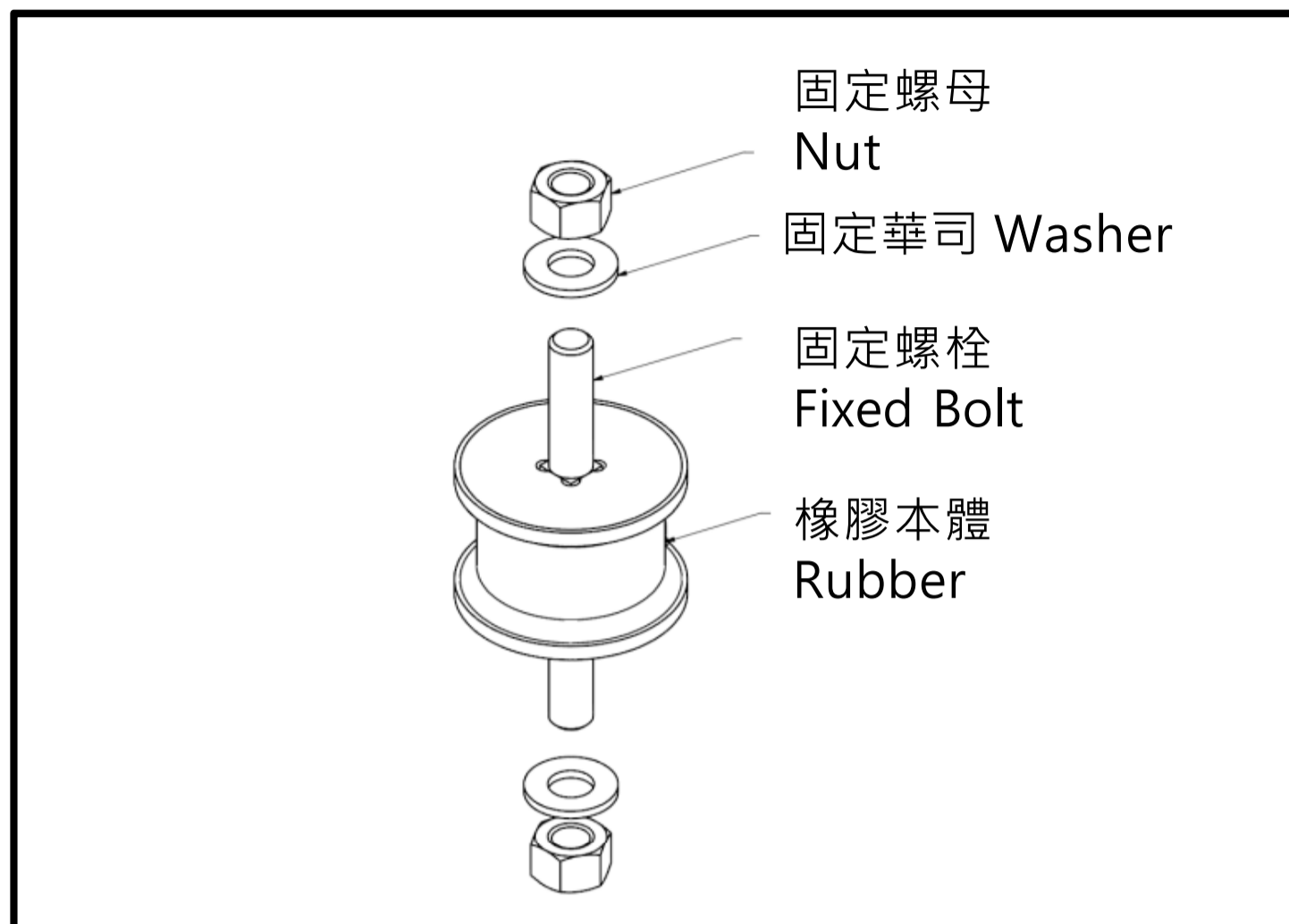


圖1) 檢查附件是否齊全，避震器有無缺陷破損。
Fig 1) Check out the isolator and other accessories see if they are all complete or having any defects.

圖2) 將避震器放置於與設備的正確安裝位置。
(固定螺栓需與設備孔、基礎孔成垂直一線，不可偏移)

Fig 2) Place the isolator on the correct installation position. Fixed bolt and equipment foundation holes need to be vertical.

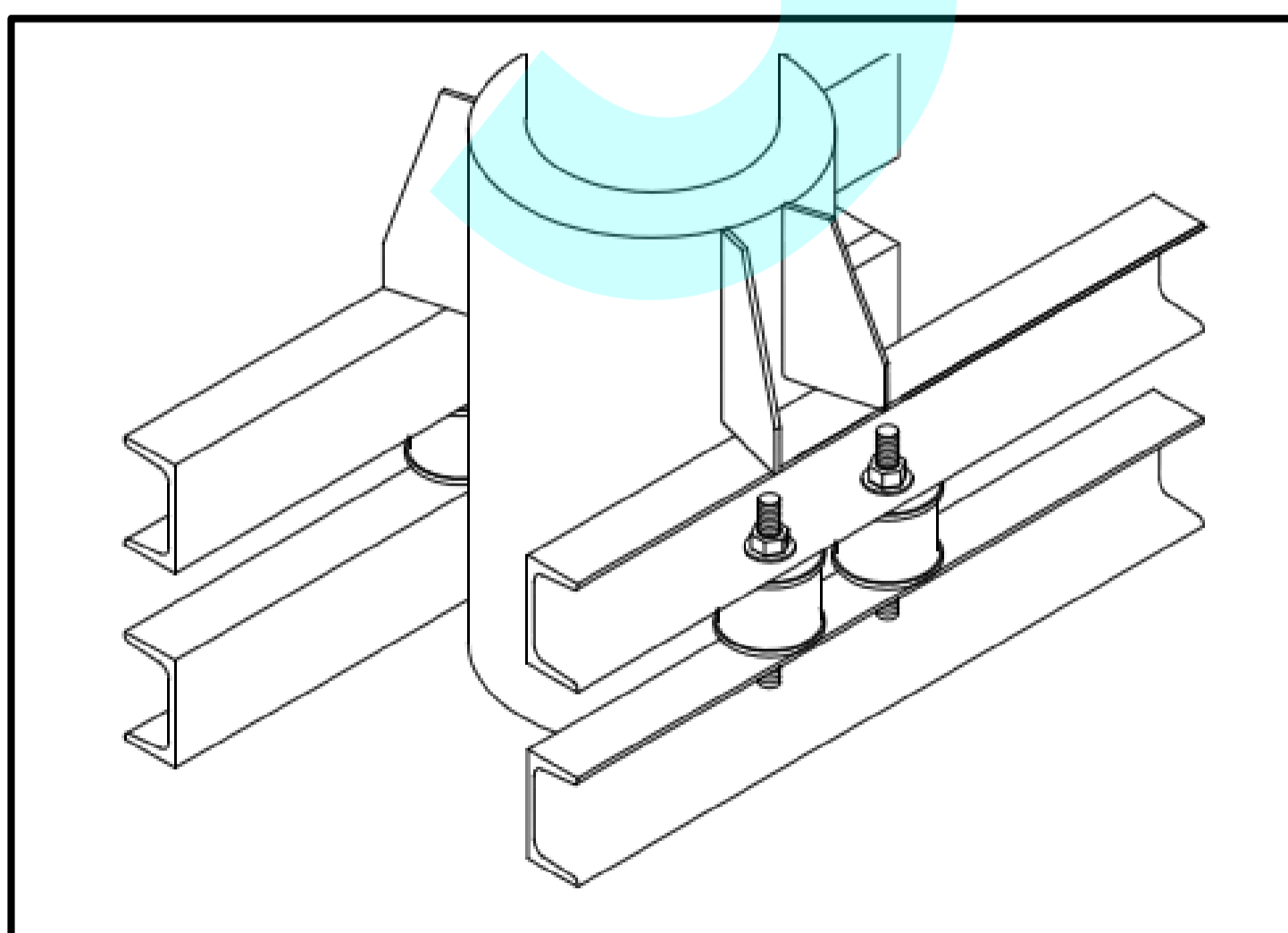
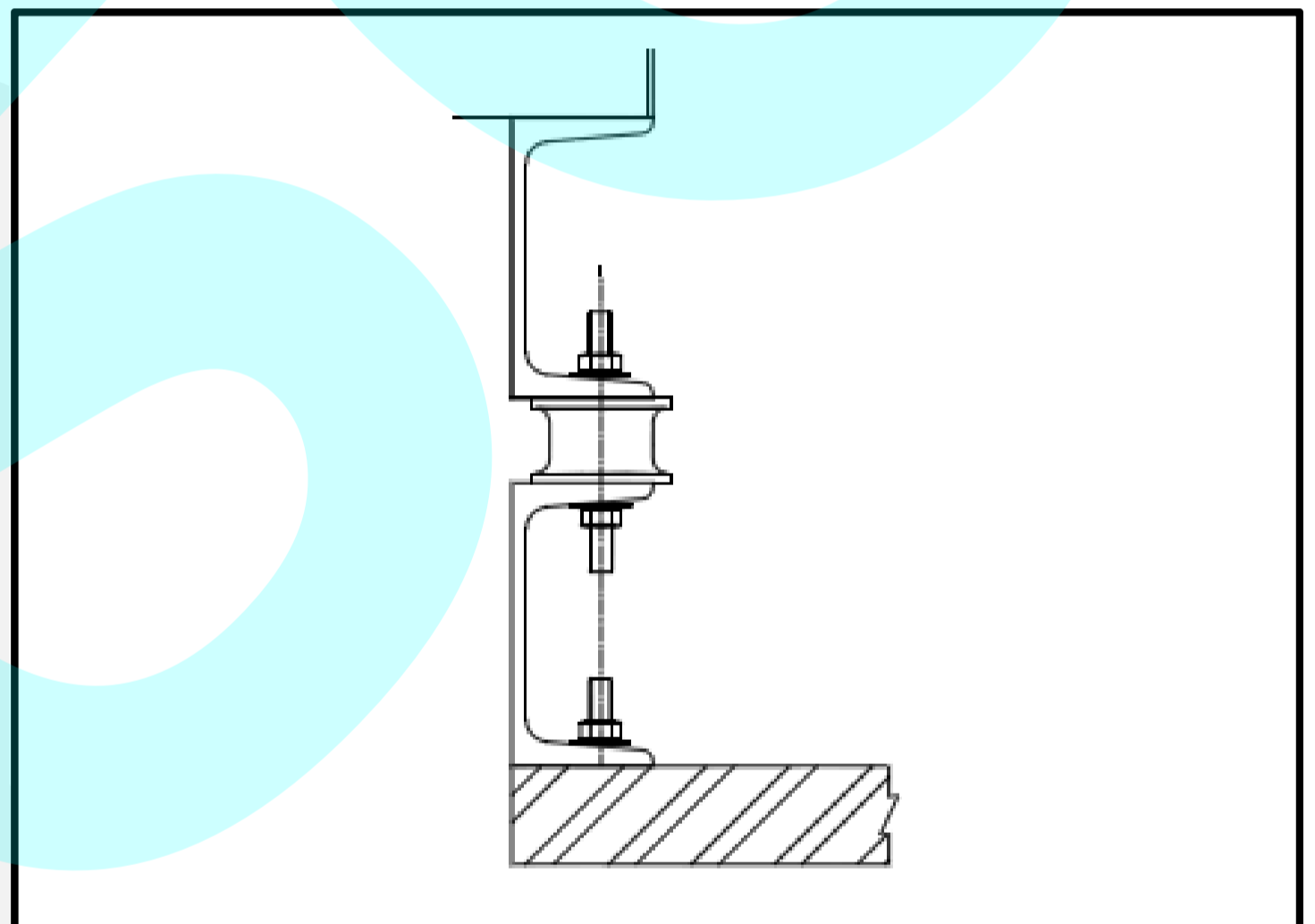


圖3) 鎖緊螺母和墊圈，確保設備和避震器固定。
Fig 3) Fasten the nuts and washers to ensure the equipment feet holes are fixed to the isolator.