

# JN 型避震器安裝說明

## JN isolator installation guide

安裝前，請確認避震器之型號規格是否正確。

Before installation, make sure the model and the specification are correct.



### 安裝說明

### Installation guide

- 所需工具：公制口徑開口扳手 17mm (M10), 19mm (M12), 24mm (M16)。

Required tools: open wrench.

- 檢查附件是否齊全，避震器有無缺陷破損。(如圖1)

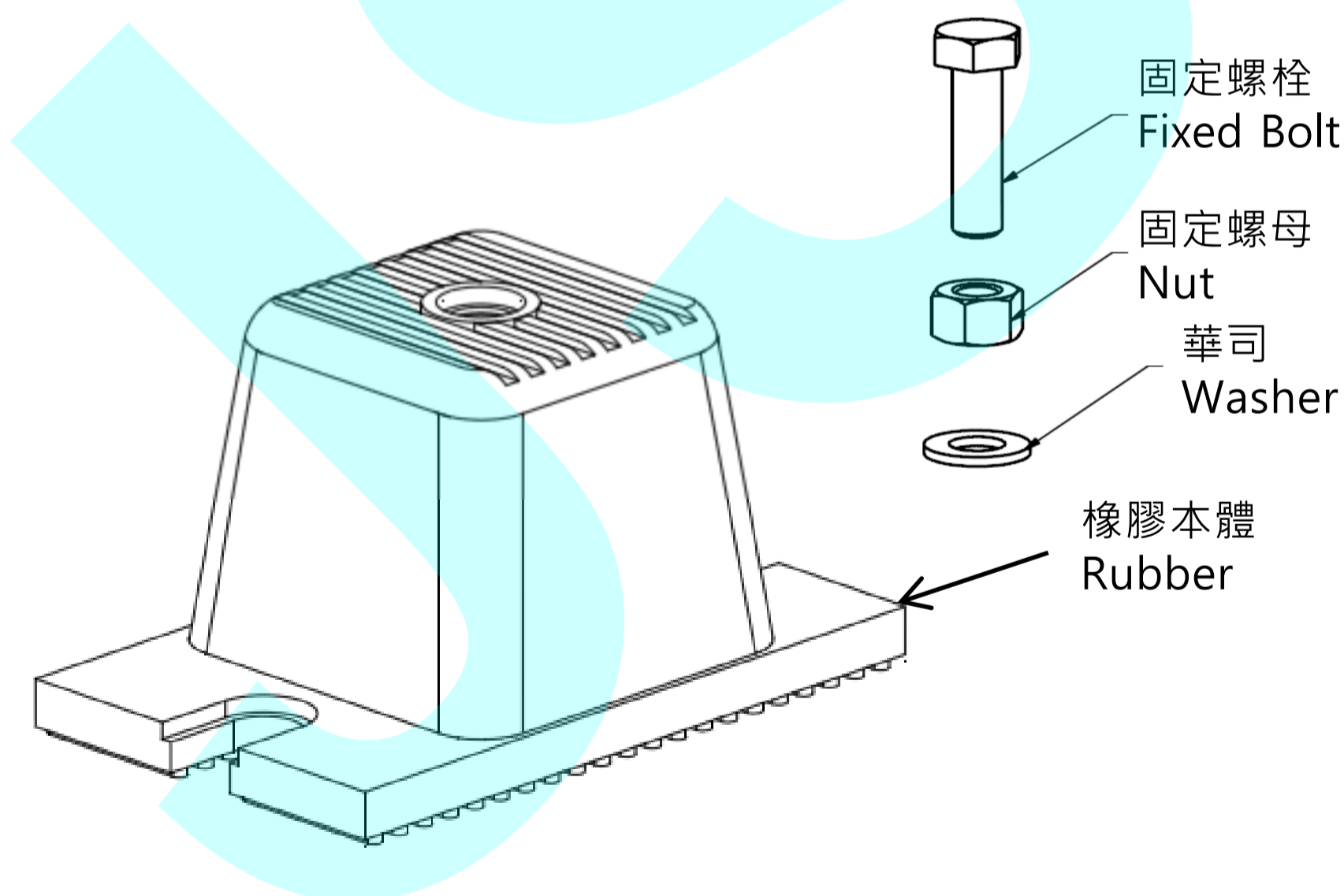
Check the isolator and other accessories see if they are all completely or having any defects (Fig 1).

- 將避震器放置於與設備的正確安裝位置。(如圖2)

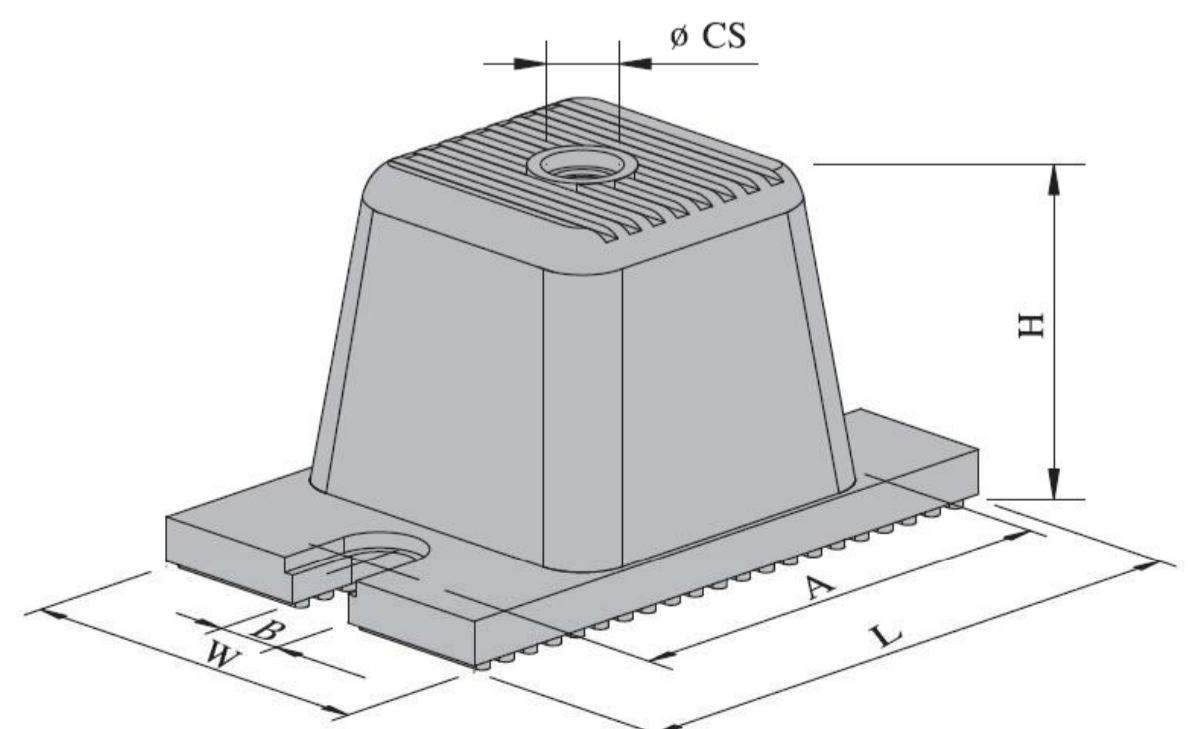
Place the isolator on the correct installation position (Fig 2).

- 鎖緊螺母和墊圈，確保設備和避震器固定。(如圖3)

Fasten the nuts and washers to ensure the equipment feet holes are fixed to the isolator (Fig 3).



型號 Type	尺寸 Dimension(mm)						荷重 Load (Kgs)		鎖固扭力 N.m	鎖固扭力 Kg.cm
	L	W	H	CS	A	B	Min	Max		
JN-100	95	53	48	M10	77	10	50	150	16.6	169
JN-130	127	77	70	M12	101	14	150	450	29	296
JN-180	180	118	70	M16	149	14	450	1000	70	714



# JN 型避震器安裝說明

## JN isolator installation guide

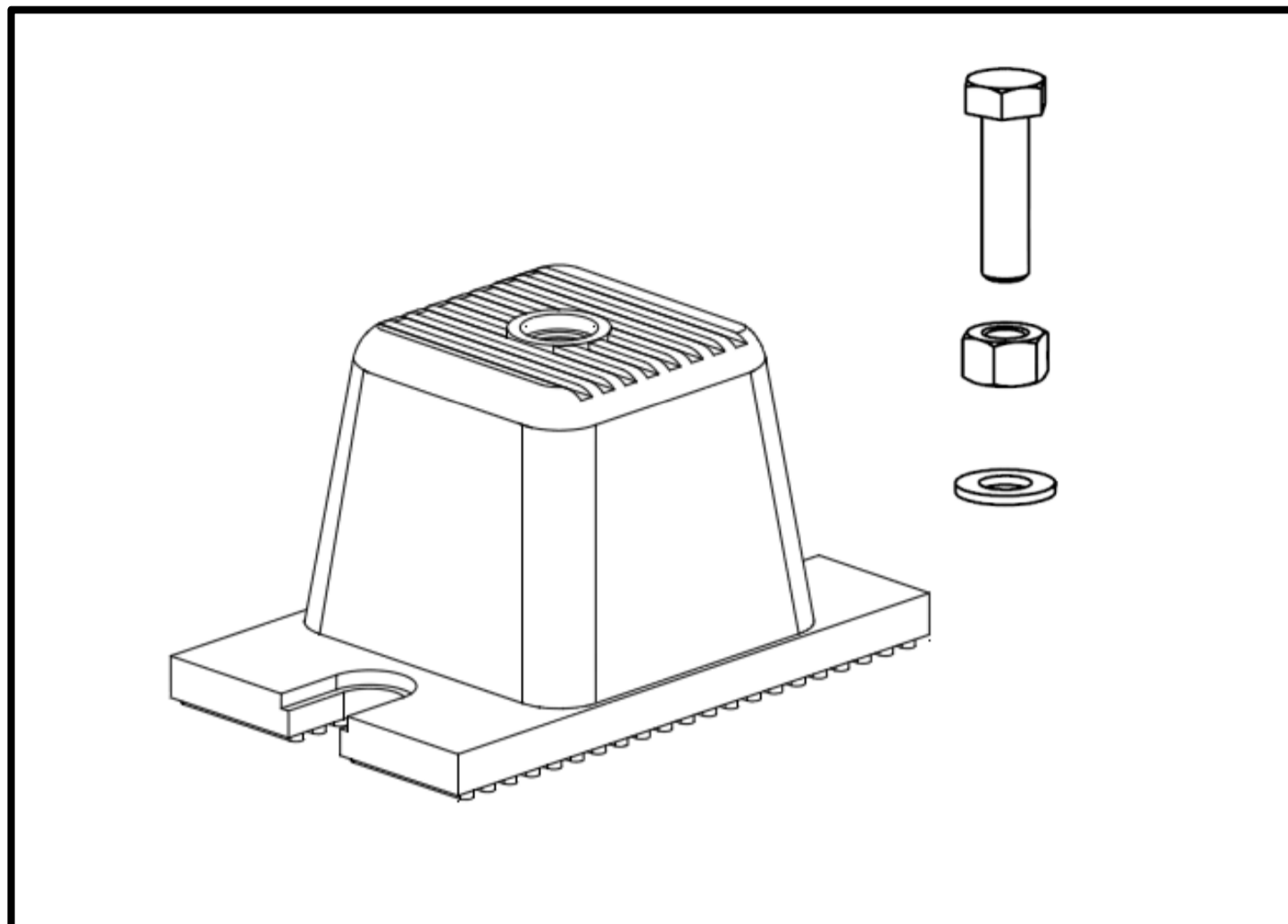


圖1)檢查附件是否齊全，避震器有無缺陷破損。  
Fig 1) Check the isolator and other accessories see if they are all completely or having any defects.

圖2)將避震器放置於與設備的正確安裝位置。  
Fig 2) Place the isolator on the correct installation position.

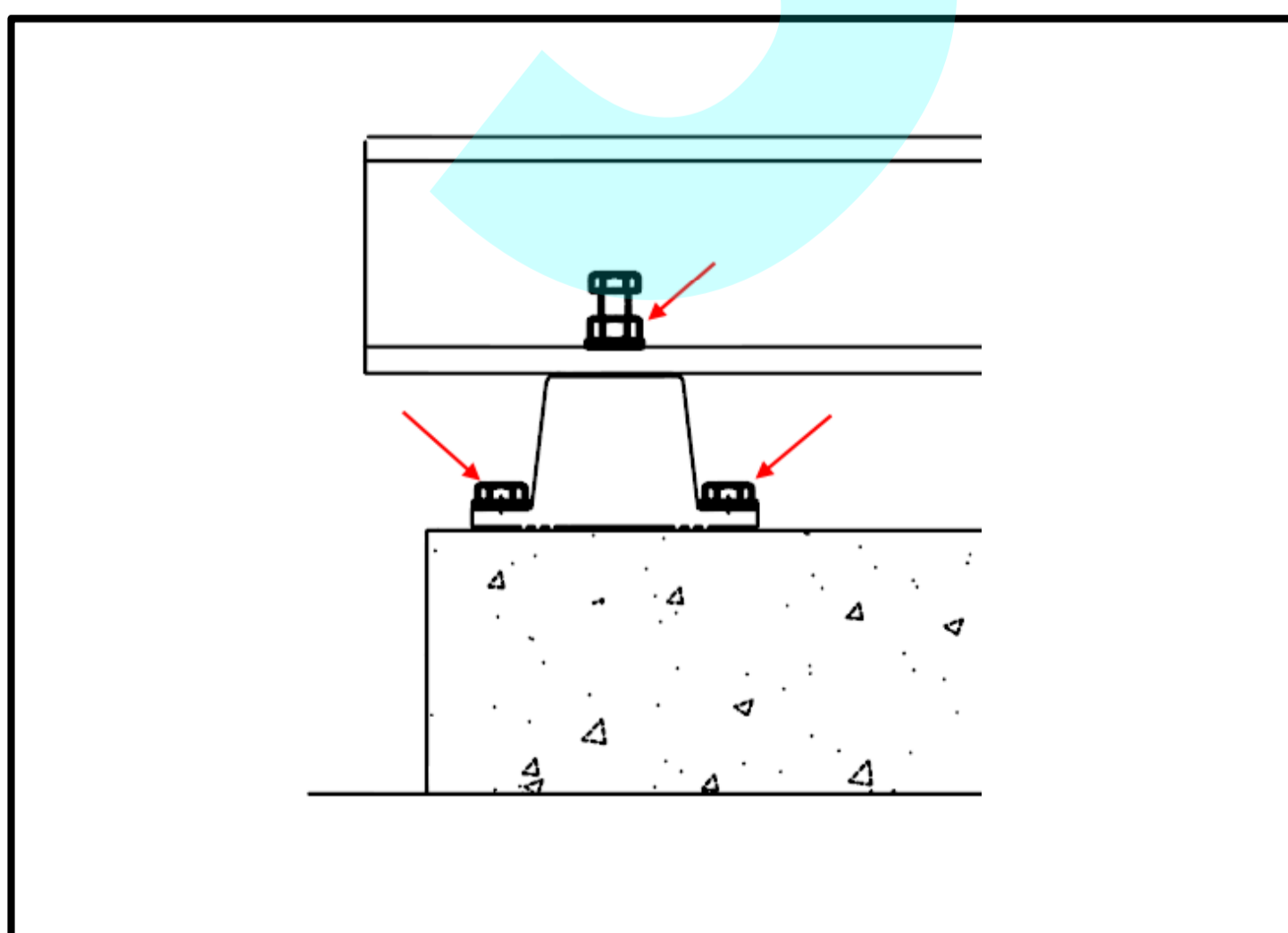
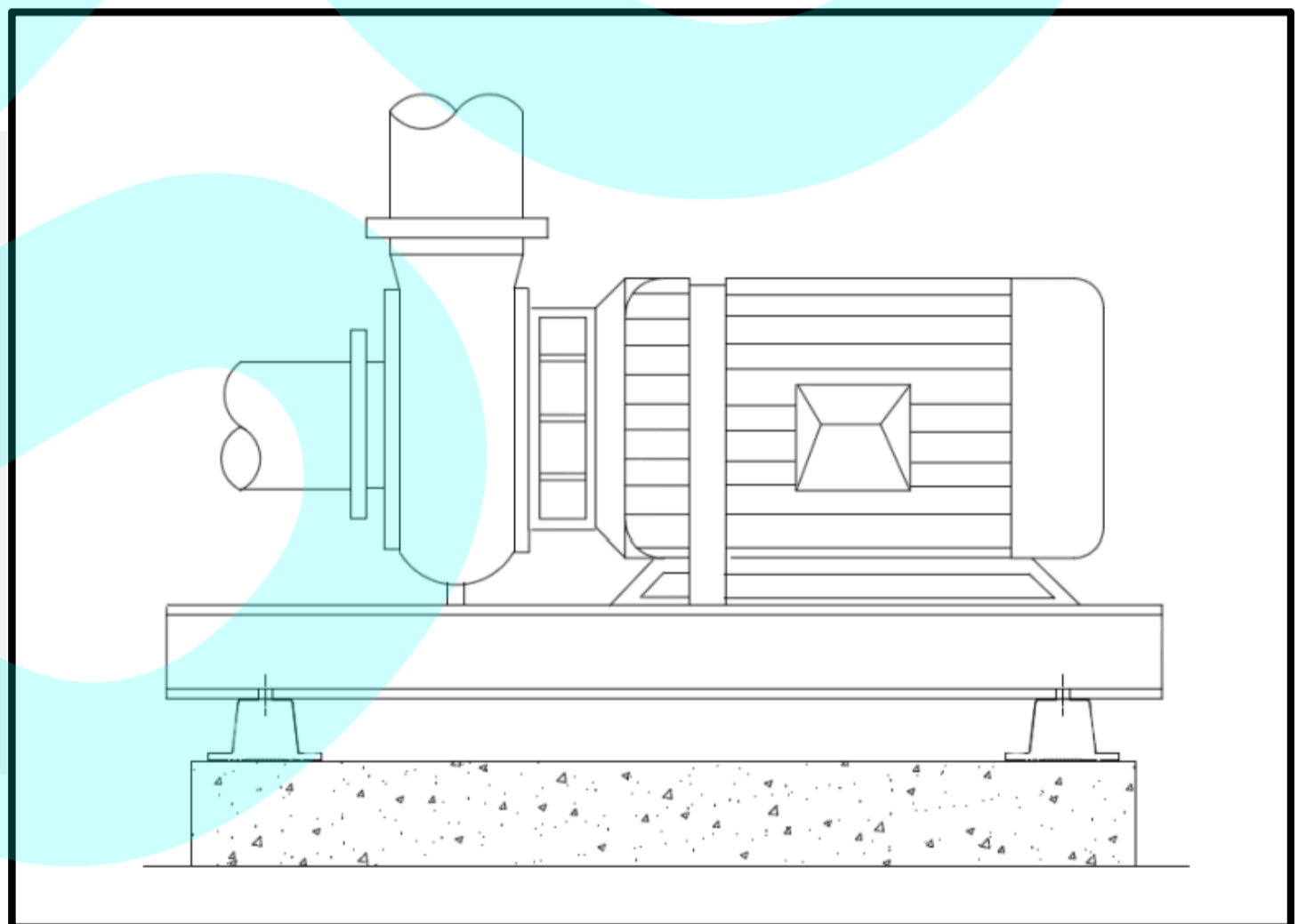


圖3)鎖緊螺母和墊圈，確保設備和避震器固定。  
Fig 3) Fasten the nuts and washers to ensure the equipment feet holes are fixed to the isolator.