



Vibration & Noise
Control Systems

Bases for Pumps & Cooling Towers

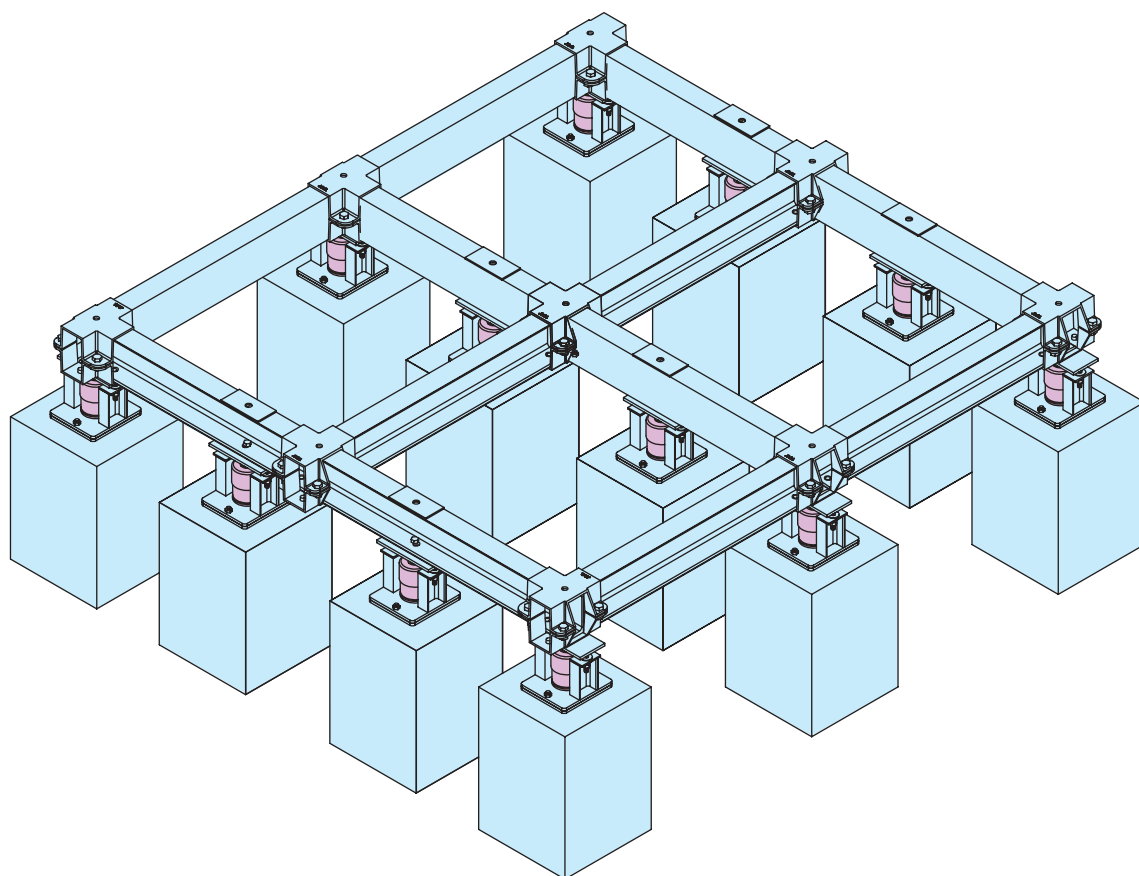
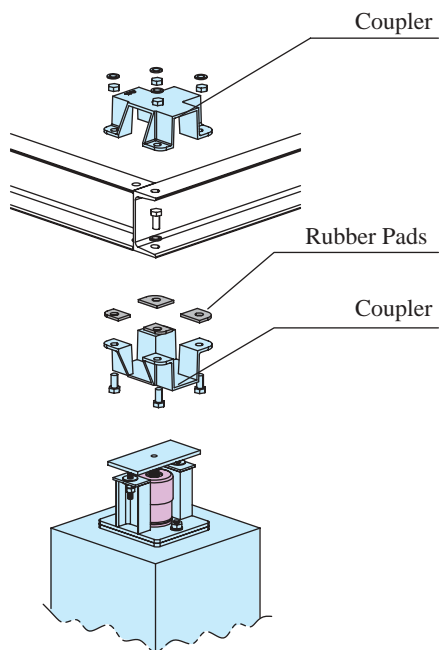
www.jsc.com.tw



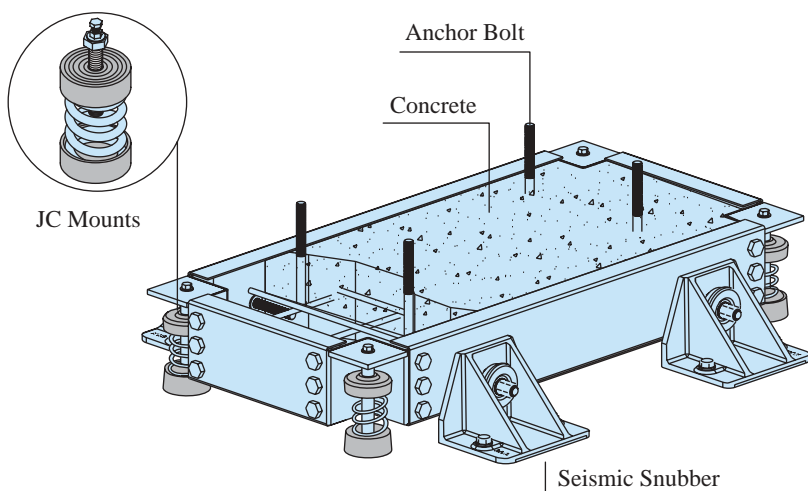
ISO-9001 Recognize

兆山辰 精密科技股份有限公司
JSC Scientific Controls Co., Ltd.

Cooling Tower Bases



CE BASE



FEATURES

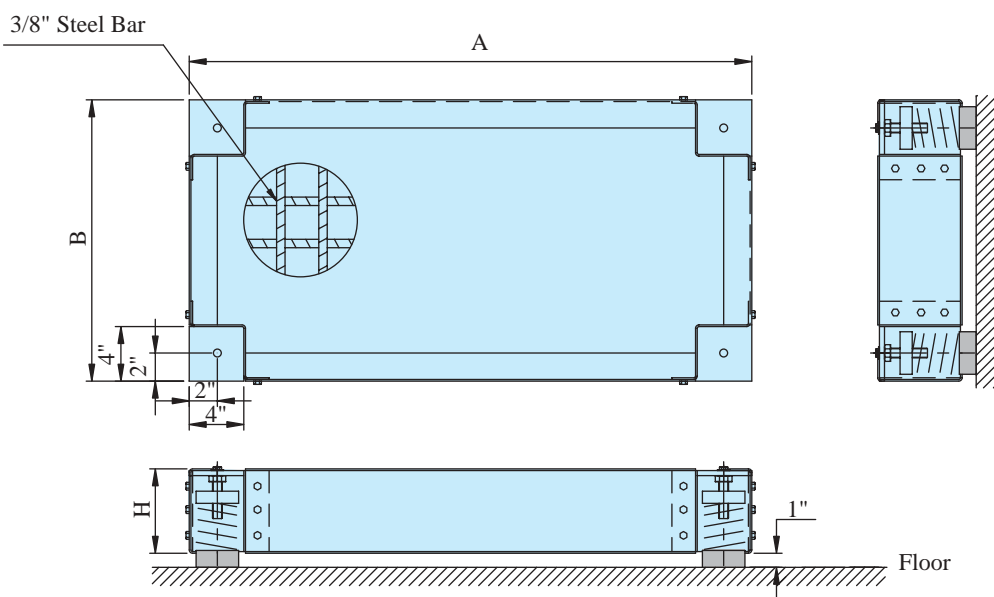
- Hop dip galvanization finish

BENEFITS

- Heavy-duty vibration isolation
- Weather resistant finish

APPLICATIONS

- Pumps
- Fan
- Motor
- Air-cooled water chillers

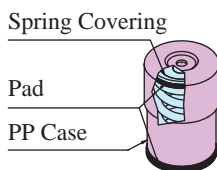
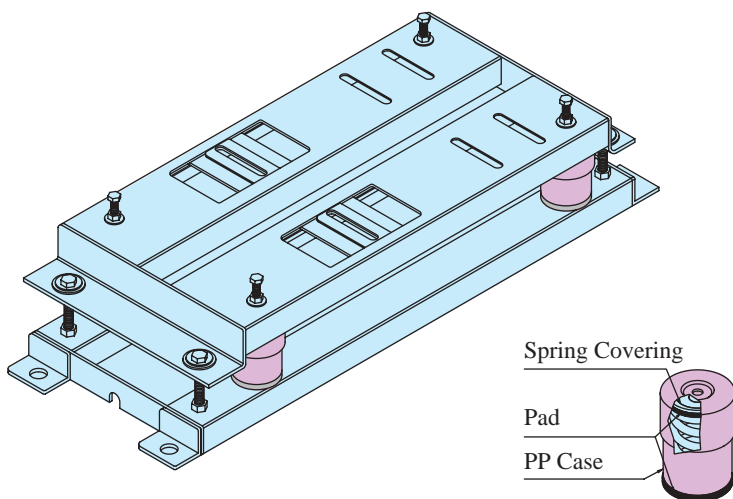


Type	Pump	Dimensions (mm)			Mounts	Mounts Quantity
		A	B	H		
CE-100	1-3 HP	600	450	150	JC-100-C	4
CE-160	5-10 HP	900	500	150	JC-150-C	4
CE-180	15-20 HP	1000	600	150	JC-200-C	4
CE-190		1000	700	150	JC-200-C	4
CE-200	*1-7.5 HP	1200	450	150	JC-200-C	4
CE-250		1200	500	150	JC-200-C	4
CE-300	*10 HP	1200	600	150	JC-250-C	4
CE-350	20-30 HP	1200	700	150	JC-250-C	4
CE-370	25-30 HP	1200	1000	150	JC-450-C	4

CE BASE

TYPE	Pump	Dimensions (mm)			Mounts	Mounts Quantity
		A	B	H		
CE-400	40~60 HP	1350	750	150	JC-350-C	4
CE-450	15~20 HP	1500	600	150	JC-300-C	4
CE-470		1600	700	150	JC-350-C	4
CE-500	75~100 HP	1500	900	150	JC-600-C	4
CE-520		1600	900	150	JC-600-C	4
CE-530		1600	1000	150	JC-600-C	4
CE-550		1700	600	150	JC-600-C	4
CE-570		1700	800	150	JC-600-C	4
CE-600	*25~60 HP	1800	750	150	JC-600-C	4
CE-650		1800	900	150	JC-850-C	4
CE-700		1800	1000	150	JC-850-C	4
CE-800		1800	1200	150	JC-1000-C	4
CE-820		2000	750	150	JC-1000-C	4
CE-850		2000	900	150	JC-1000-C	4
CE-900		2000	1000	150	JC-1000-C	4
CE-930		2000	1500	150	JC-1000-C	4
CE-950		2200	1000	150	JC-600-C	6
CE-1000		2200	1200	150	JC-850-C	6
CE-1100		2200	1350	150	JC-850-C	6
CE-1150		2200	1500	150	JC-850-C	6
CE-1160		2500	1000	150	JC-1000-C	6
CE-1170		2500	1200	150	JC-1000-C	6
CE-1200		2500	1800	150	JC-1000-C	6
CE-5100		1500	750	200	JC-450-D	4
CE-5150		1500	900	200	JC-600-D	4
CE-5200		1800	900	200	JC-600-D	4
CE-5250		2000	750	200	JC-600-D	4
CE-5300		2000	1000	200	JC-750-D	4
CE-5350		2200	1000	200	JC-750-D	4
CE-5400		2200	1200	200	JC-1000-D	4
CE-5450		2500	1000	200	JC-750-D	6
CE-5500		2500	1200	200	JC-750-D	6
CE-5550		2700	1000	200	JC-750-D	6
CE-5600		2700	1200	200	JC-750-D	6
CE-5650		2700	1500	200	JC-1000-D	6
CE-5700		2900	1000	200	JC-750-D	6
CE-5750		2900	1200	200	JC-850-D	6
CE-5800		2900	1500	200	JC-1000-D	6
CE-5850		3100	1200	200	JC-1000-D	6
CE-5900		3100	1500	200	JC-1000-D	6
CE-5950		3100	1800	200	JC-1000-D	6

CN Base



FEATURES

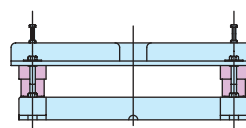
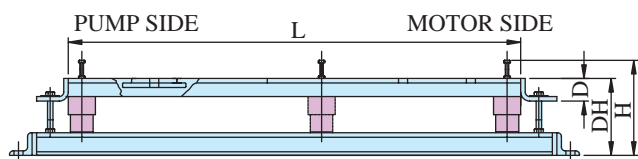
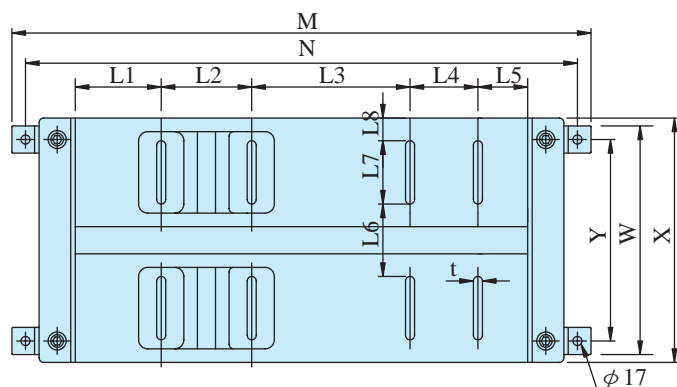
- Low natural frequency
- Hot dip galvanized finish
- Springs in protective impact resistance cases

BENEFITS

- Quick and easy installation
- Heavy-duty vibration isolation
- Weather resistant finish

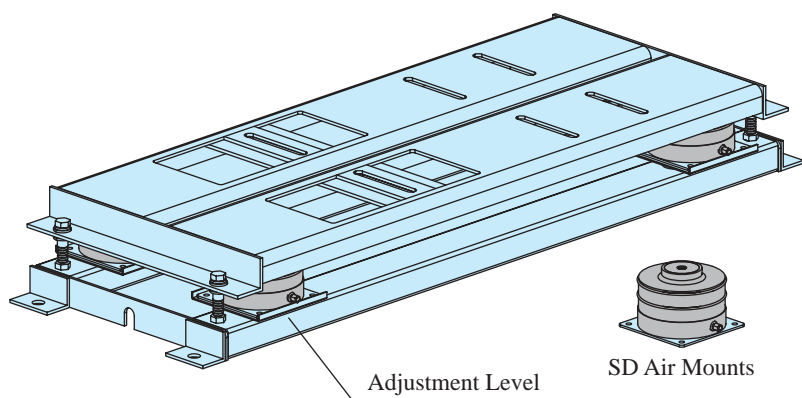
APPLICATIONS

- Pumps
- Motors



Part Number	Dimensions (mm)																	
	L	X	W	H	DH	D	M	N	Y	t	L1	L2	L3	L4	L5	L6	L7	L8
CN-55	550	380	345	220	180	50	760	710	270	14	135	130	165	*	120	100	100	40
CN-75	750	440	405	220	180	50	960	910	330	14	210	150	160	100	130	120	120	40
CN-95	950	480	445	220	180	50	1160	1110	370	14	230	150	280	120	170	160	120	40
CN-115	1150	530	495	220	180	50	1360	1310	420	14	260	150	390	120	230	210	120	40
CN-130	1300	560	525	220	180	50	1510	1460	450	14	290	150	490	130	240	240	120	40
CN-145	1450	580	545	220	180	50	1660	1610	470	14	205	150	640	130	325	260	120	40
CN-170	1700	700	665	220	180	50	1910	1860	590	18	280	190	680	160	390	310	140	55
CN-200	2000	820	785	220	180	50	2210	2160	710	18	350	190	830	200	430	430	140	55

CN-A BASE



FEATURES

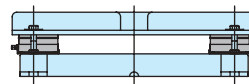
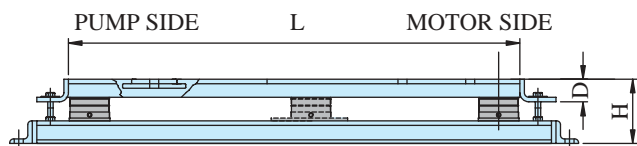
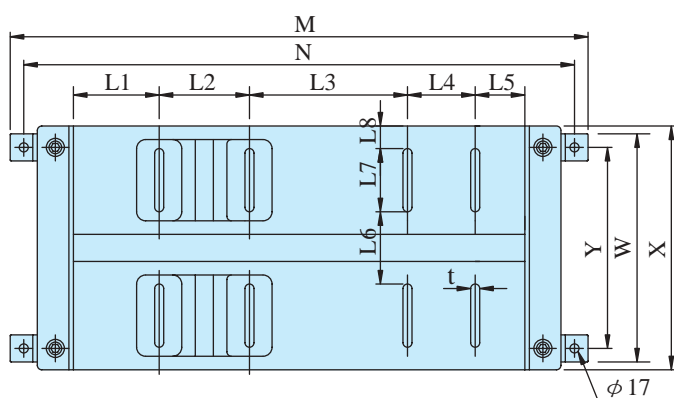
- Air spring isolator with integral heavy wall construction
- Low natural frequency
- Continued support & isolation even with no air pressure

BENEFITS

- Quick and easy installation
- Heavy-duty vibration isolation
- Weather resistant finish

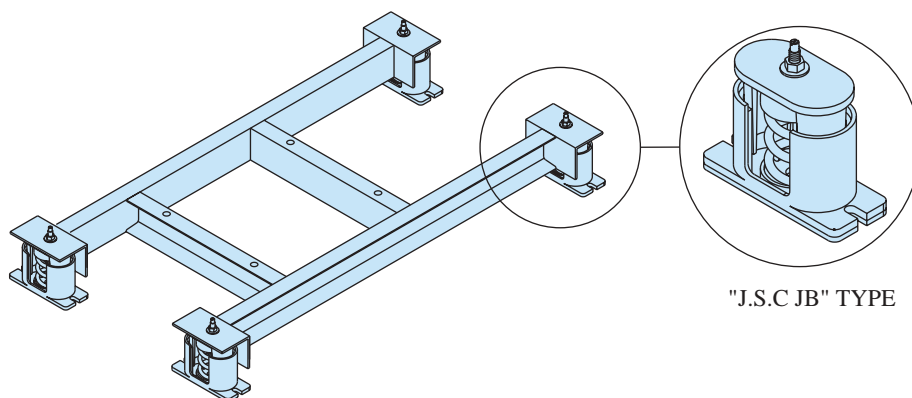
APPLICATIONS

- Pumps
- Motors

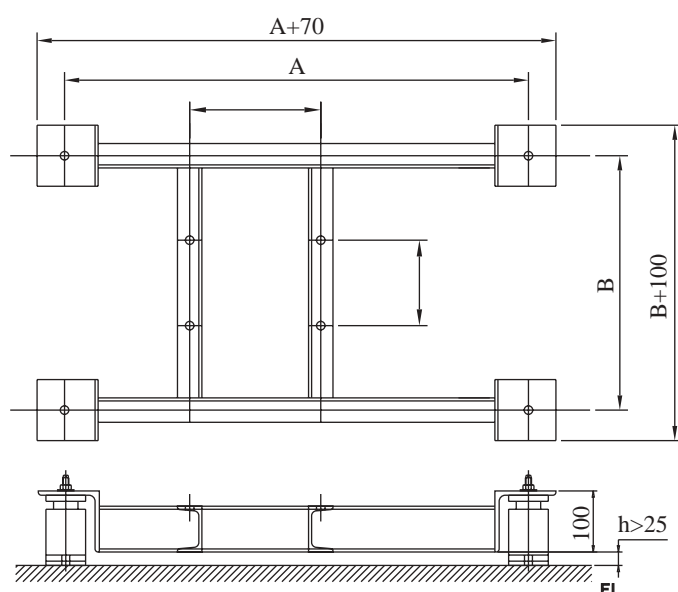


Part Number	Dimensions (mm)																
	L	X	W	H	D	M	N	Y	t	L1	L2	L3	L4	L5	L6	L7	L8
CN-55-A	550	380	345	140	50	760	710	270	14	135	130	165	*	120	100	100	40
CN-75-A	750	440	405	140	50	960	910	330	14	210	150	160	100	130	120	120	40
CN-95-A	950	480	445	140	50	1160	1110	370	14	230	150	280	120	170	160	120	40
CN-115-A	1150	530	495	140	50	1360	1310	420	14	260	150	390	120	230	210	120	40
CN-130-A	1300	560	525	140	50	1510	1460	450	14	290	150	490	130	240	240	120	40
CN-145-A	1450	580	545	140	50	1660	1610	470	14	205	150	640	130	325	260	120	40
CN-170-A	1700	700	665	140	50	1910	1860	590	18	280	190	680	160	390	310	140	55
CN-200-A	2000	820	785	140	50	2210	2160	710	18	350	190	830	200	430	430	140	55

CF BASE



"J.S.C JB" TYPE



FEATURES

- Low natural frequency
- Hot dip galvanized finish
- Spring in protective impact resistance cases

BENEFITS

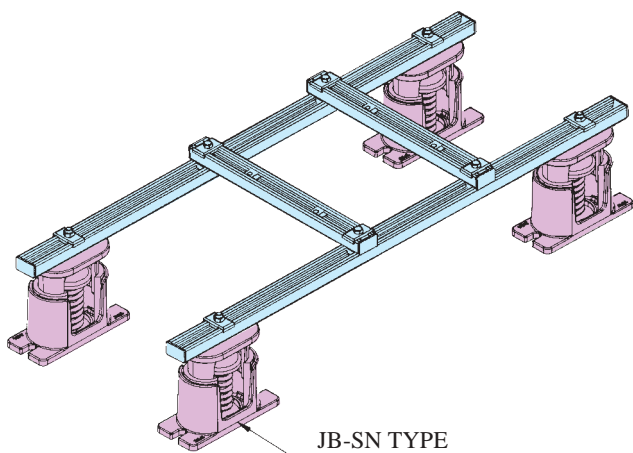
- Quick and easy installation
- Heavy-duty vibration isolation
- Weather resistant finish

APPLICATIONS

- Pumps
- Motors

Part Number	Dimensions (mm)		Channel iron
	A	B	
CF-080-02	750	450	[75*40*5t
CF-080-05	800	500	[75*40*5t
CF-080-10	900	600	[75*40*5t
CF-080-30	1000	800	[75*40*5t
CF-080-50	1200	900	[100*50*5t
CF-080-75	1400	1000	[100*50*5t
CF-080-100	1500	1100	[100*50*5t
CF-090-05	1300	700	[75*40*5t
CF-090-10	1400	800	[75*40*5t
CF-090-20	1700	1000	[100*50*5t
CF-090-40	1900	1100	[100*50*5t
CF-090-60	2100	1100	[100*50*5t
CF-090-75	2300	1200	[100*50*5t
CF-090-100	2400	1300	[100*50*5t

CFS BASE



FEATURES

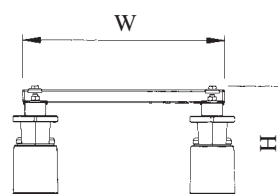
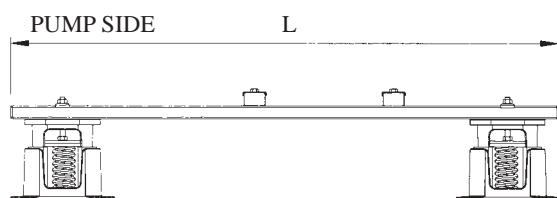
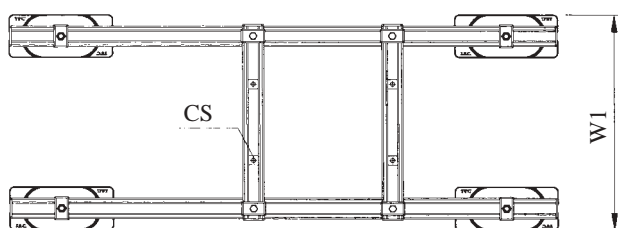
- Low natural frequency
- Galvanized finish
- Spring in protective impact resistance cases

BENEFITS

- Quick and easy installation
- Heavy-duty vibration isolation

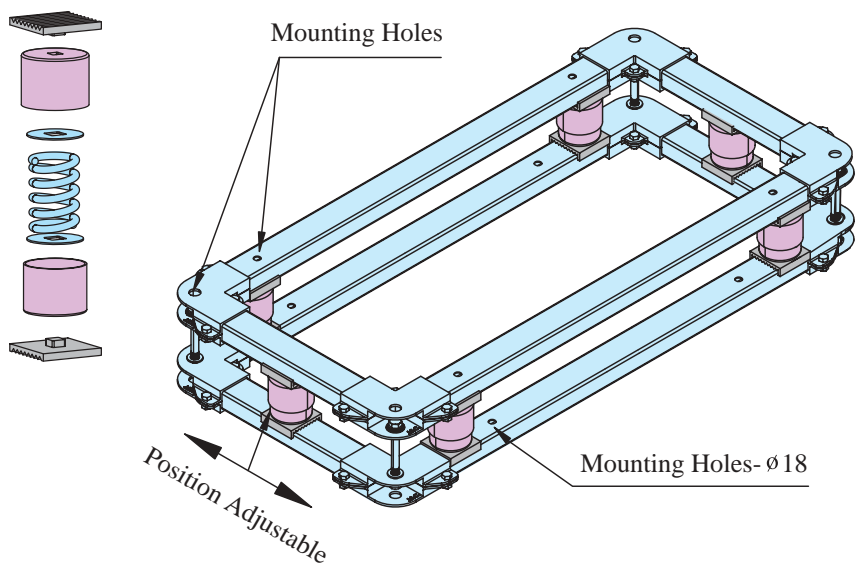
APPLICATIONS

- Mini Pumps
- Mini Motors



Part Number	L (mm)	W (mm)	W1 (mm)	H (mm)	Mounting Bolt CS	Max Load Kgs
CFS-010-1	700	400	470	150	3/8"	80
CFS-010-2	700	400	470	150	3/8"	80
CFS-020-1	900	550	620	150	3/8"	200
CFS-020-2	900	550	620	150	3/8"	200
CFS-030-1	1100	650	720	150	1/2"	280
CFS-040-1	1200	400	470	150	1/2"	200

CH BASE



FEATURES

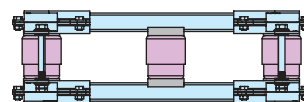
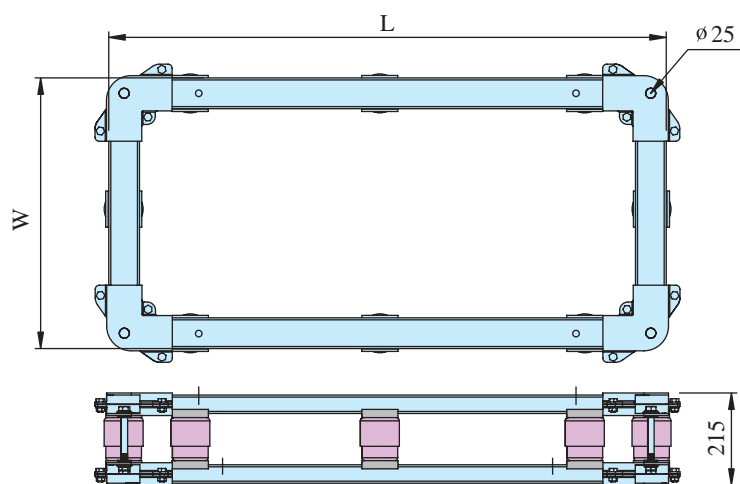
- Low natural frequency
- Hot dip galvanized finish
- Spring in protective impact resistance cases

BENEFITS

- Quick and easy installation
- Heavy-duty vibration isolation
- Weather resistant finish

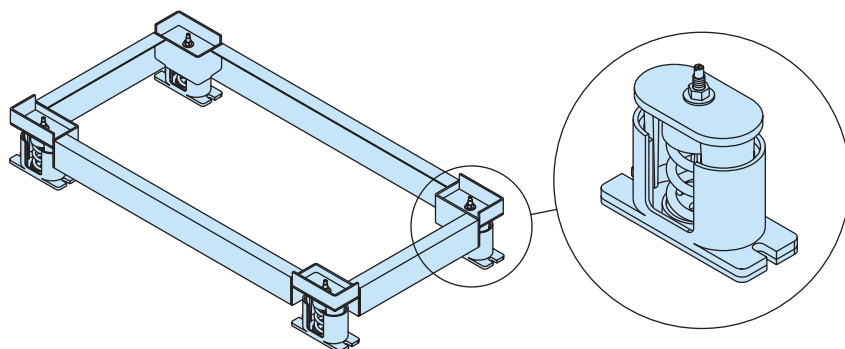
APPLICATIONS

- Fans
- Air-cooled water chillers



Part Number	Dimensions (mm)		Mounts Quantity	Loading capacity (kgs)
	L	W		
CH-060	600	430	6	240
CH-090	900	430	6	480
CH-110	1100	450	6	780
CH-130	1350	690	6	900
CH-150	1550	750	6	1200
CH-170	1700	850	6	780
CH-190	1900	950	8	1360
CH-210	2120	1060	8	1600
CH-230	2360	1220	8	2160
CH-280	2880	1480	8	2160

CA BASE



"JB-M" TYPE



FEATURES

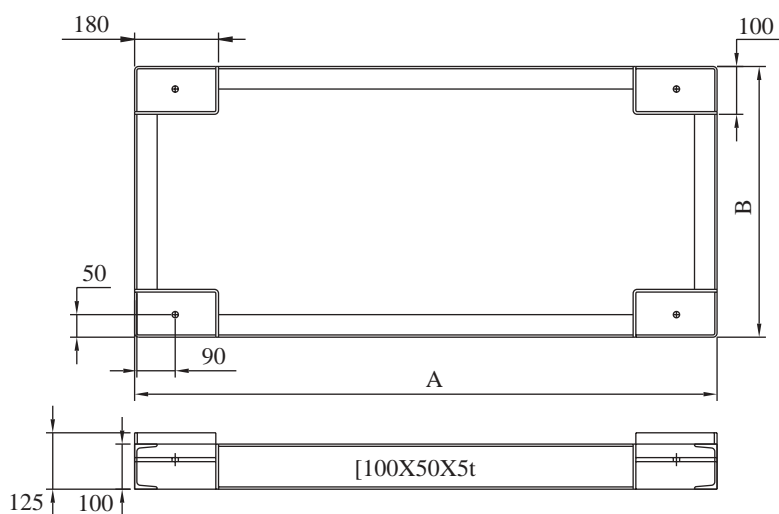
- Low natural frequency
- Hot dip galvanized finish
- Spring in protective impact resistance cases

BENEFITS

- Quick and easy installation
- Heavy-duty vibration isolation
- Weather resistant finish

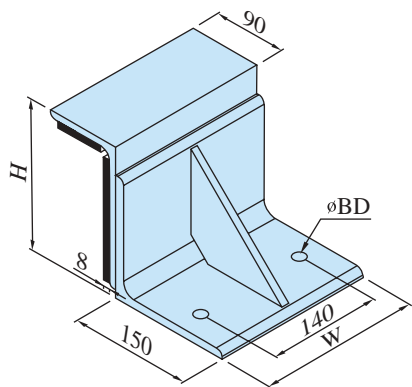
APPLICATIONS

- Air conditioner

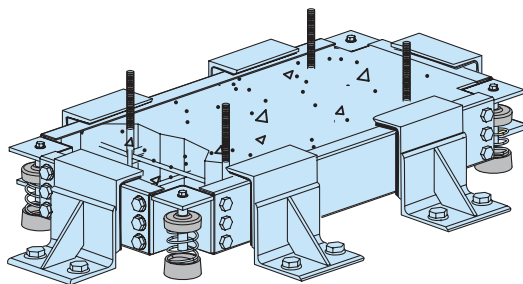


Part Number	Dimensions (mm)	
	A	B
CA-105	950	510
CA-110	1470	510
CA-115	1470	720
CA-120	1810	720
CA-130	1760	1050
CA-140	1960	1200
CA-205	980	485
CA-210	1200	635
CA-215	1640	635
CA-220	1860	635
CA-230	1910	1088
CA-240	1920	1250
CA-305	800	500
CA-308	1100	500
CA-310	1400	500
CA-315	1400	750
CA-320	1700	750
CA-330	2000	880

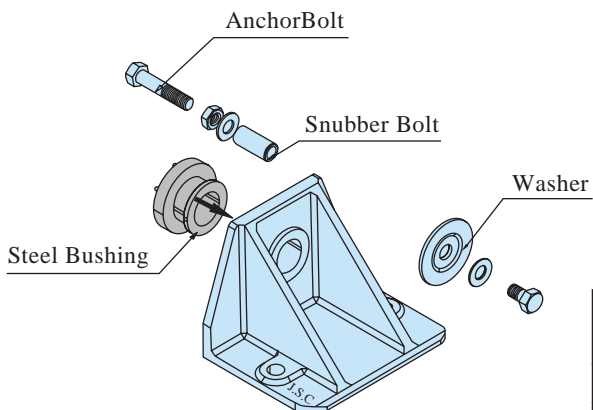
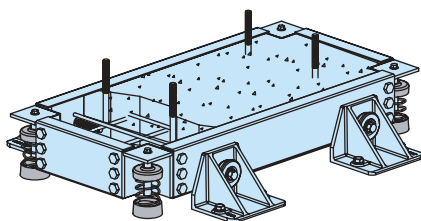
JCZ SEISMIC SNUBBER



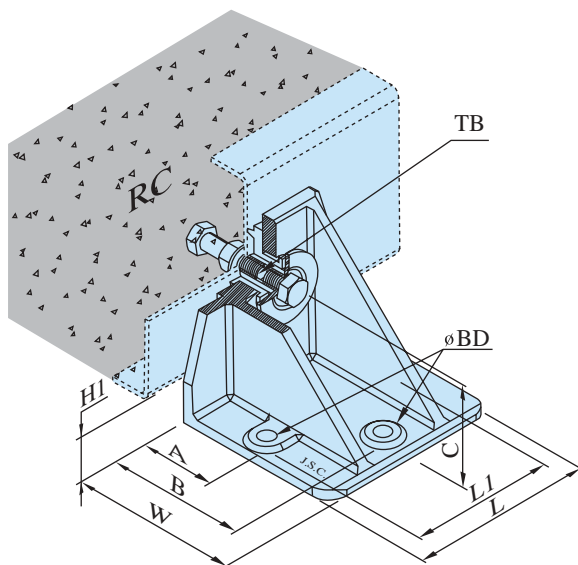
JCZ-50&100 SEISMIC SNUBBER



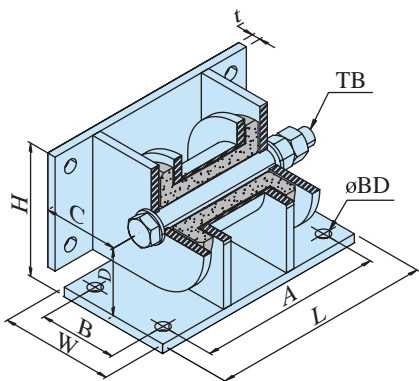
TYPE	Dimensions (mm)			Base Thickness
	W	H	ϕBD	
JCZ-50	200	200	18	6"
JCZ-100	200	250	18	8"



JCZ SEISMIC SNUBBER



TYPE	Dimensions (mm)								Thru Bolt
	L	L1	W	H	ϕBD	A	B	C	
JCZ-250	180	140	120	110	14	60	*	60	5/8"
JCZ-500	220	170	170	160	18	90	*	90	3/4"
JCZ-600	220	170	200	195	18	90	165	120	3/4"



JCZ-2000 & 2500 SEISMIC SNUBBER



TYPE	Dimensions (mm)									
	L	W	A	B	C	D	ϕBD	H	TB	t
JCZ-2000	310	160	260	110	107	107	19	187	M24	12
JCZ-2500	350	190	290	130	134	134	25	229	M30	19



Factory

兆山辰精密科技股份有限公司
JSC Scientific Controls Co., Ltd.

HEAD OFFICE

No.13, Lane 246, Shinming Road.
Neihu TAIPEI, TAIWAN.

TEL : (886-2) 2791-4117
(886-2) 2790-5116
FAX : (886-2) 2792-5104
(886-2) 2794-9204

TAICHUNG

TEL : (886-4) 2327-3181
FAX : (886-4) 2317-3298

KAUSHYONG

TEL : (886-7) 396-3080
FAX : (886-7) 396-3070

Factory

TEL : (886-3) 462-1888
FAX : (886-3) 452-6822

Web site : www.jsc.com.tw
E-mail : jsc@jsc.com.tw