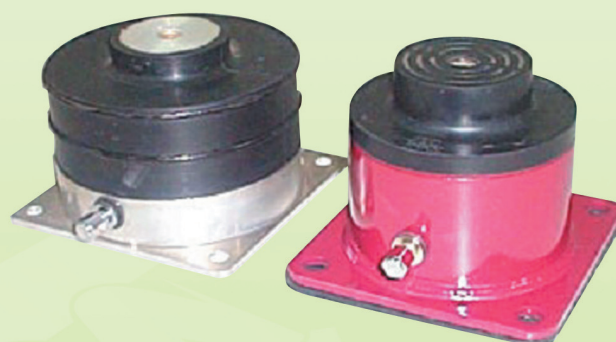




Vibration & Noise
Control Systems

Air Mounts

www.jsc.com.tw



ISO-9001 Recognize

兆山辰 精密科技股份有限公司
JSC Scientific Controls Co., Ltd.

SA Air Mounts

FEATURES

- Air-cushioned isolation
- Low natural frequency (3~5 Hz at operating load)
- High deflection
- Neoprene padded top and bottom base
- Heavy wall construction

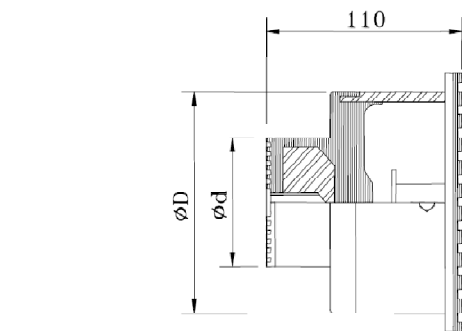
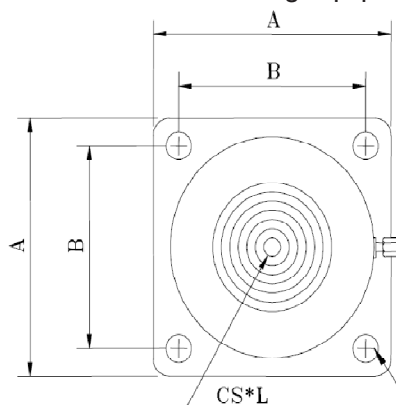
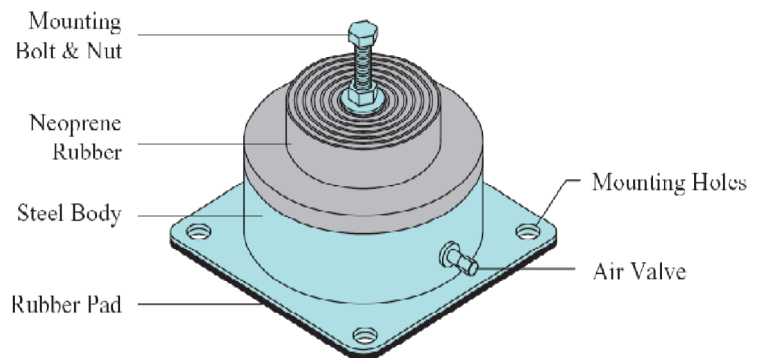


BENEFITS

- Maintenance free
- Extends machinery life
- Combined resiliency and air prevents high static deflection
- Wide load range available

APPLICATIONS

- Air compressors
- CMM machinery
- Forging hammers
- Industrial equipment, tools and machinery
- Sensitive measuring equipment



4-φBD “SA&SAP” Type main body and the foundation material quality are SS41
 “ST” Type main body and the foundation material quality are SUS 304

Part Number	Dimensions (mm)							Load Range (Kgs)		Center Bolts CS*L	
	A	B	C	φD	φd	BD	Min	Max	SA	SAP	
JSC-100 SA	125	100	0	100	50	12	50	100	M10-40L	*	
JSC-200 SA	125	100	0	100	60	12	100	200	M12-50L	*	
JSC-400 SA	160	125	0	138	90	12	200	400	M12-50L	*	
JSC-700 SA	200	160	0	164	110	12	400	700	M12-50L	*	
JSC-900 SA SAP	220	180	0	191	132	14	700	900	M16-60L	M16-110L	
JSC-1200 SA SAP	250	200	0	212	150	14	900	1200	M16-60L	M16-110L	
JSC-1600 SA SAP	300	250	0	263	190	14	1200	1600	M16-60L	M16-110L	
JSC-2000 SA SAP	350	300	0	314	240	14	1600	2000	M16-60L	M16-110L	
JSC-2800 SA SAP	400	350	90	353	270	16	2000	2800	M20-100L	M20-150L	
JSC-3500 SA SAP	500	450	90	412	330	16	2800	3500	M20-100L	M20-150L	
JSC-6000 SA SAP	530	470	125	502	390	20	3500	6000	M24-100L	M24-150L	
JSC-9000 SA SAP	650	590	150	602	490	20	6000	9000	M24-100L	M24-150L	

SB Air Mounts

FEATURES

- Air-cushioned isolation with liquid-filled dampers
- Low natural frequency (3 ~ 5 Hz at operating load)
- High deflection
- Neoprene padded bottom base
- Heavy wall construction

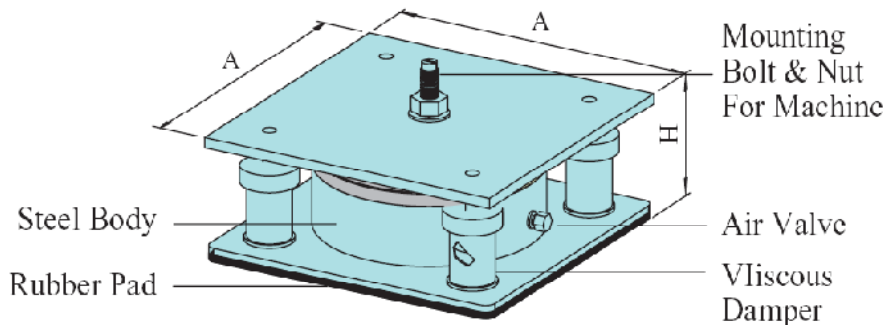


BENEFITS

- High lateral stability
- Maintenance free
- Extends machinery life
- Combined resiliency and air prevents high static deflection
- Wide load range available

APPLICATIONS

- Air compressors
- CMM machinery
- Forging hammers
- Industrial equipment, tools and machinery
- Sensitive measuring



Part Number	Dimensions (mm)			Load Range (Kgs)		Natural Frequency (Hz)	Center Bolts CS*L
	A	B	H	Min	Max		
JSC-700-B	260	260	120	400	700	3~5	M12-105L
JSC-900-B	270	270	120	700	900	3~5	M16-110L
JSC-1200-B	300	300	120	900	1200	3~5	M16-110L
JSC-1600-B	350	350	120	1200	1600	3~5	M16-110L
JSC-2000-B	400	400	120	1600	2000	3~5	M16-110L
JSC-2800-B	450	450	120	2000	2800	3~5	M20-150L
JSC-3500-B	500	500	120	2800	3500	3~5	M20-150L
JSC-6000-B	575	575	120	3500	6000	3~5	M24-150L
JSC-9000-B	650	650	120	6000	9000	3~5	M24-150L

SD Air Mounts

FEATURES

- Air spring isolator with integral heavy wall construction
- Continued support & isolation even with no air pressure
- Deflection transfers shock to outer wall
- Will not bottom out

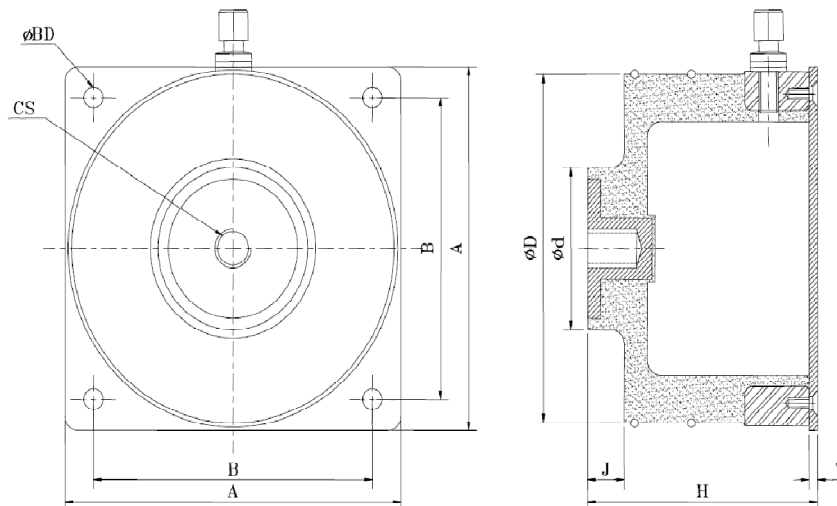
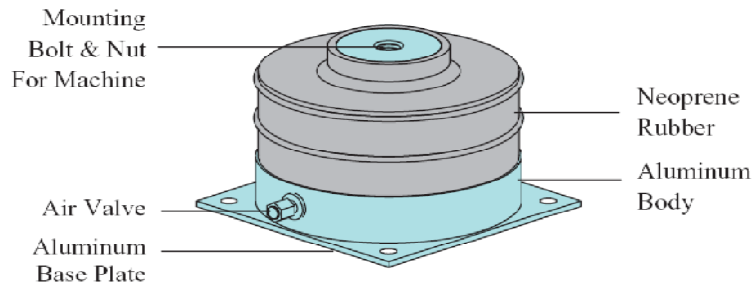


BENEFITS

- Maintenance free
- Extends machinery life
- Combined resiliency and air prevents high static deflection
- Wide load range available

APPLICATIONS

- Air compressors
- CMM machinery
- Forging hammers
- Industrial equipment, tools and machinery
- Sensitive measuring equipment



Part Number	Dimensions (mm)								Natural Frequency(Kgs)		Center Bolts CS
	A	B	H	D	d	J	BD	T	Min	Max	
JSC-50-SD	76	60	64	74	26	13	7	4	30	50	M10-40L
JSC-150-SD	110	89	88	106	48	13	7	4	60	150	M12-50L
JSC-300-SD	130	108	88	124	58	13	8	4	160	300	M12-50L

JT Vibration Isolation Table

Features :

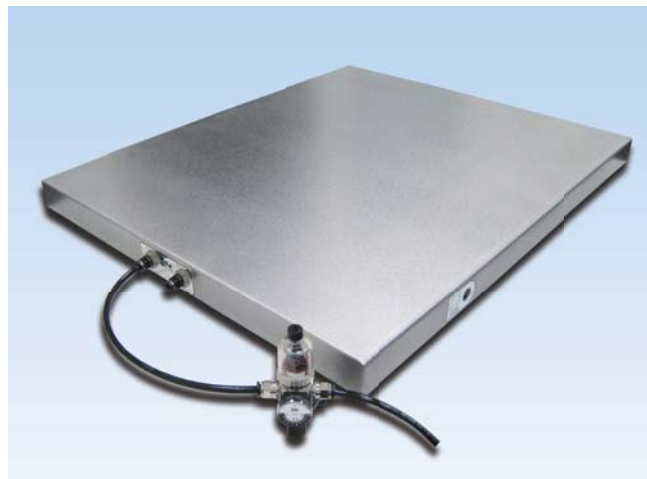
- Stainless steel table
- Supported by four pneumatic isolators
- Easy to clean
- Chemical resistant
- You can adjust the level of the side

Applications :

- Optical microscopes
- Precision inspection stations
- Highly sensitive laboratory equipment
- High-accuracy measuring instruments

Installation :

- Use clean and dry air
- Maximum air pressure is 70 psi (5 kg/cm²)
- Table is shipped assembled with 10 feet of 6 mm plastic tubing



Specifications								
Part Number	JT-0405(A)	JT-0605(A)	JT-0705(A)	JT-0806(A)	JT-0405(M)	JT-0605(M)	JT-0705(M)	JT-0806(M)
DIM (mm)	400*500	600*500	700*500	800*600	400*500	600*500	700*500	800*600
Height (mm)	58±3							
Table Weight	22 Kg	32 Kg	37 Kg	48 Kg	22 Kg	32 Kg	37 Kg	48 Kg
Leveling type	Automatic				Manual			
Natural Freq.	2.5 Hz							
Surface top	SUS 304							
Appendix	A Type : 1.PU tube 6*3M				2.Air Pressure Regulator			
	M Type : Manual air pump							
Max load	120 & 300 Kg							

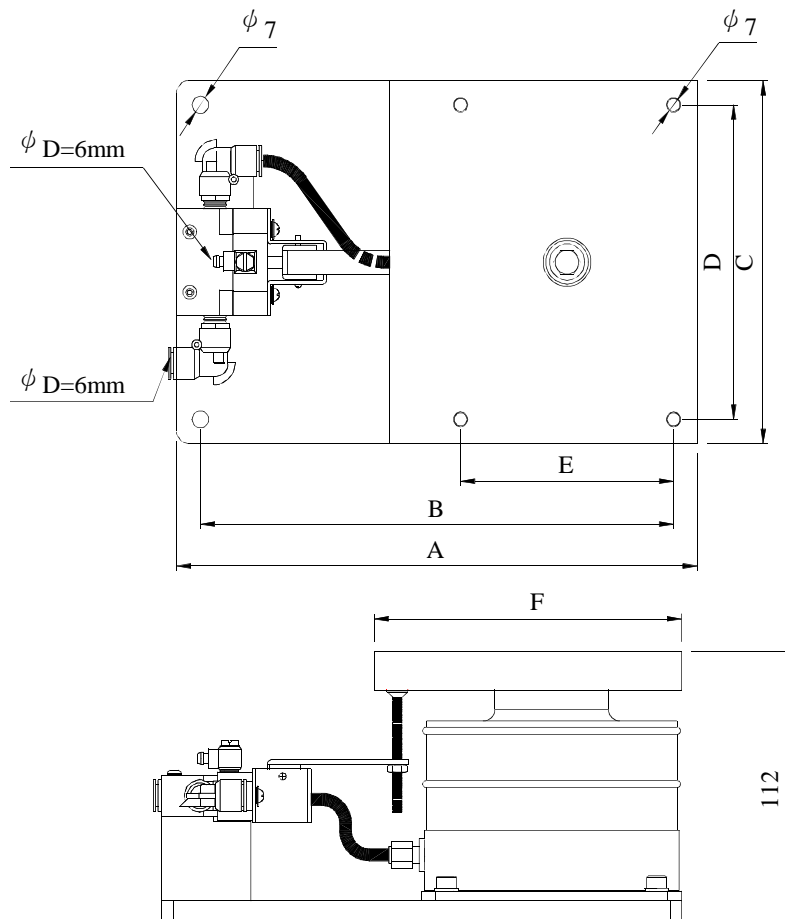
JTL Leveling Mechanism

FEATURES

- Minimal settling time with optimum damping and correct valve gain
- Vertical adjustable damping
- Support payloads from 150 kg to 300 kg per isolator
- Easily integrated into machine designs

APPLICATIONS

- Electron Microscopes
- Coordinate Measuring Machines
- Precision Manufacturing Equipment
- Inspection and Calibration Equipment
- Specialized Isolated Foundations



Part Number	Dimensions (mm)						Load Range (Kgs)
	A	B	C	D	E	F	
JTL-150	220	200	150	130	90	130	60~150
JTL-300	250	230	180	160	110	150	160~300
JTL-700	350	320	200	160	160	240	400~700
JTL-1200	390	360	250	200	200	280	700~1200

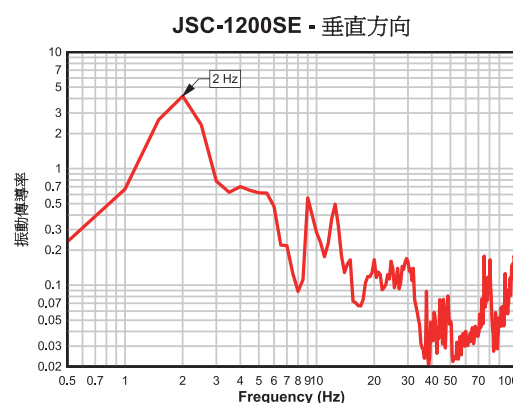
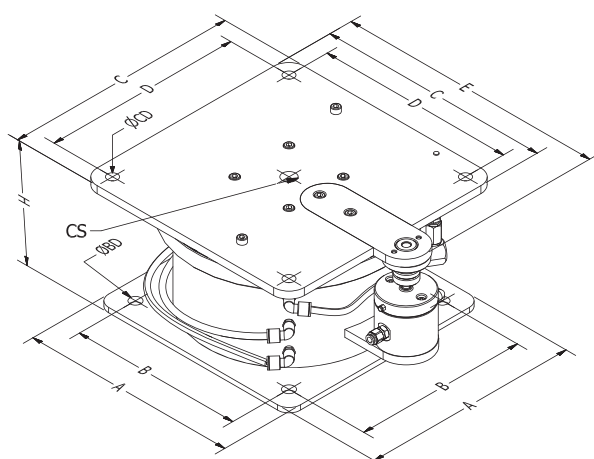
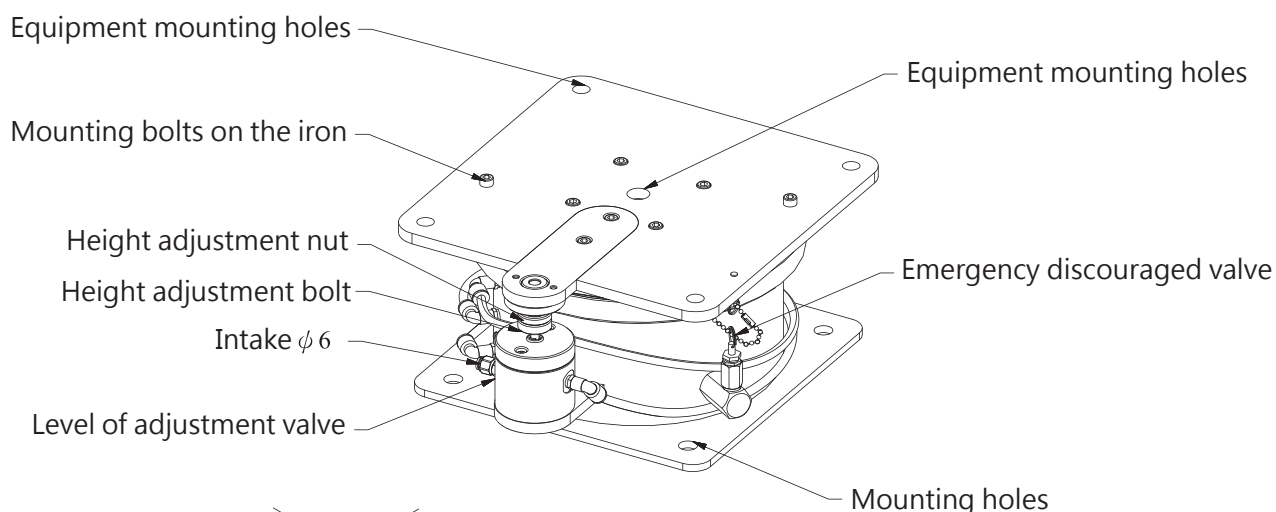
SE Air Mounts

FEATURES :

- High reset accuracy e.g. level accuracy of $\pm 0.02\text{mm}$.
- Extremely short reaction time.
- Wear-resistant and sturdy relief valves.
- Simple and effective set-up operation.

APPLICATIONS :

- metrological instruments
- electron microscopes
- equipment in laser technology
- measuring buildups



Part Number	Dimensions (mm)										Load Range Kgs
	A	B	C	D	E	H	CS	φCD	φBD		
JSC-200-SE	140	115	160	135	202	147	M10	9	11	100~220	
JSC-400-SE	160	125	190	150	237	147	M12	12	12	200~480	
JSC-700-SE	200	160	220	180	267	147	M12	12	12	400~720	
JSC-1200-SE	250	200	270	230	318	147	M16	14	14	900~1250	
JSC-2000-SE	350	300	380	340	425	147	M16	14	14	1200~2500	

SEK Air Mounts

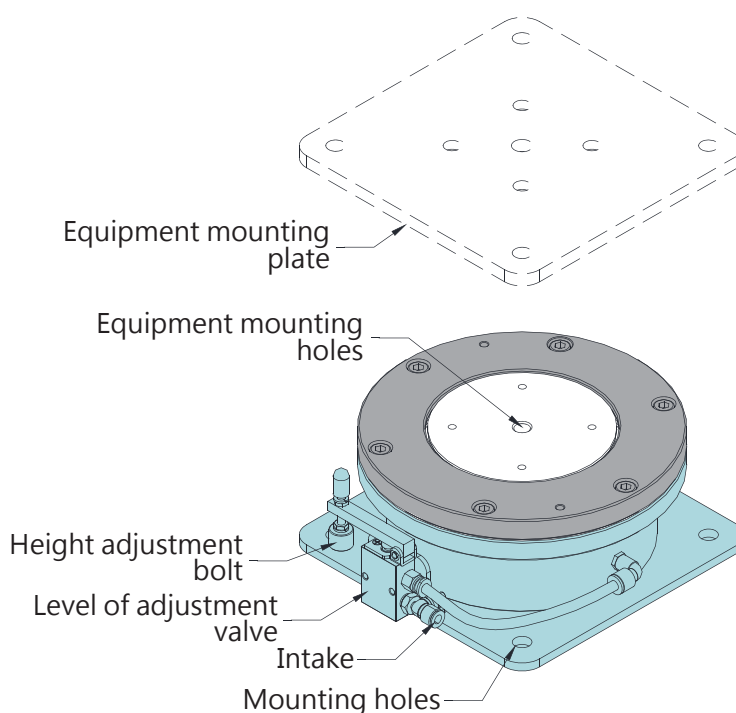
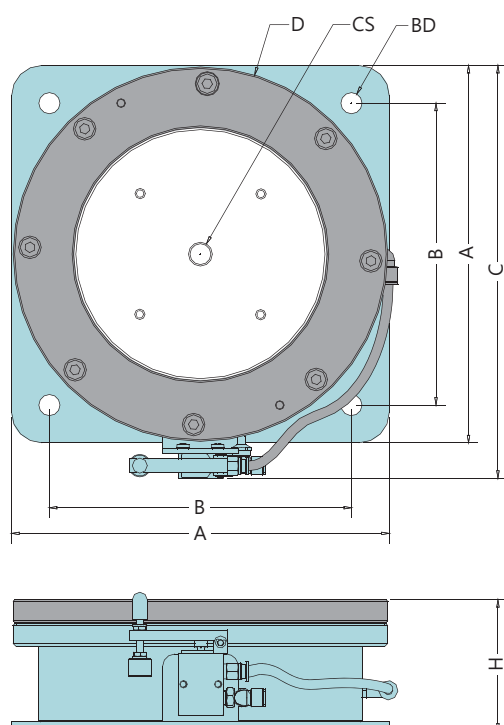
FEATURES :

- The SEK series pneumatic vibration isolation system uses servo controlled air springs.
- Minimal settling time with optimum damping and correct valve gain.
- Vertical adjustable damping.
- Support payloads from 150 kg to 1200 kg.
- Easily integrated into machine designs.
- Per isolator Valve re-leveling accuracies to ± 0.2 mm.



APPLICATIONS :

- metrological instruments
- electron microscopes
- equipment in laser technology
- measuring buildups



Part Number	Dimension(mm)							Load Range (Kgs)
	A	B	C	D	H	CS	BD	
JSC-150-SEK	140	115	166	114	88	M10	9	50~180
JSC-400-SEK	170	135	195	174	88	M12	12	200~480
JSC-700-SEK	200	160	225	200	88	M12	12	400~720
JSC-1200-SEK	250	200	275	248	88	M16	14	900~1250

SK Air Mounts

FEATURES

- Air-cushioned isolation with liquid-filled dampers
- Low natural frequency (3 ~ 5 Hz at operating load)
- High deflection
- Neoprene padded bottom base
- Heavy wall construction

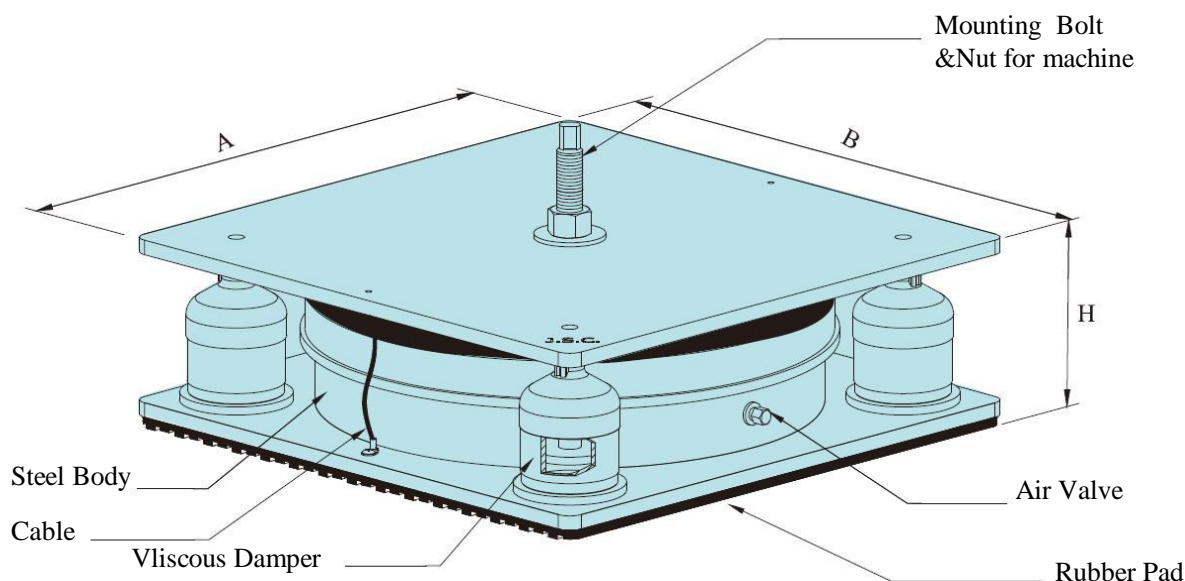
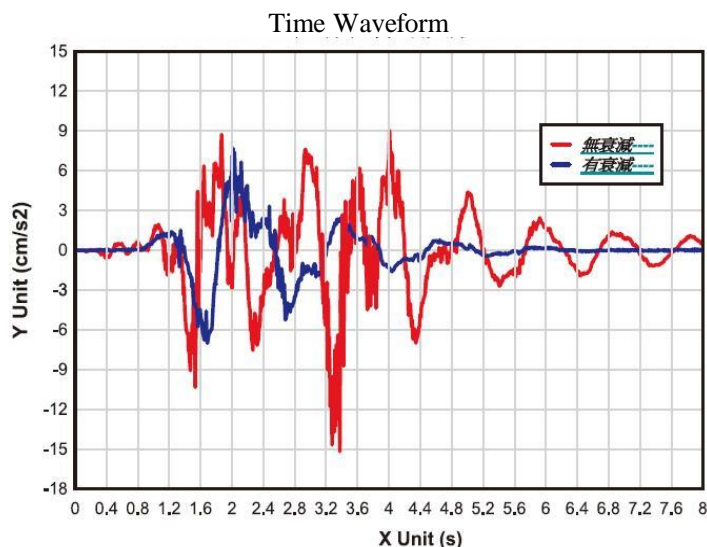


BENEFITS

- High lateral stability
- Maintenance free
- Extends machinery life
- Combined resiliency and air prevents high static deflection
- Wide load range available

APPLICATIONS

- Air compressors
- CMM machinery
- Forging hammers
- Industrial equipment, tools and machinery
- Sensitive measuring



Part Number	Dimensions (mm)			Load Range (Kgs)		Natural Frequency	Center Bolts CS*L
	A	B	H	Min	Max		
JSC-1200-SK	300	300	120	900	1200	3~5	M16-110L
JSC-1600-SK	350	350	120	1200	1600	3~5	M16-110L
JSC-2000-SK	380	380	120	1600	2000	3~5	M16-110L
JSC-3500-SK	500	500	120	2800	3500	3~5	M20-150L
JSC-6000-SK	575	575	120	3500	6000	3~5	M24-150L



Factory

兆山辰精密科技股份有限公司
JSC Scientific Controls Co., Ltd.

HEAD OFFICE

No.13, Lane 246, Shinming Road.
Neihu TAIPEI, TAIWAN.

TEL : (886-2) 2791-4117
(886-2) 2790-5116
FAX : (886-2) 2792-5104
(886-2) 2794-9204

TAICHUNG

TEL : (886-4) 2327-3181
FAX : (886-4) 2317-3298

KAUSHYONG

TEL : (886-7) 396-3080
FAX : (886-7) 396-3070

Factory

TEL : (886-3) 462-1888
FAX : (886-3) 452-6822

Web site : www.jsc.com.tw
E-mail : jsc@jsc.com.tw