

# JSC-SE 氣墊式避震器安裝說明

## JSC-SE air mounts installation guide

安裝前，請確認避震器之型號規格是否正確。

Before installation, make sure the model and the specification are correct.

### 安裝說明

### Installation guide

- 將避震器放置在預定位置上後，將設備鎖固在上鐵板機器固定孔處；再將避震器固定在安裝位置處，注意鎖固時請先套入華司墊片，且高度調整閥頂桿需接觸到安全高度調整螺栓。(參固定孔位圖)

Lock the equipment on the fixed holes of upper iron plate after placing the mounts on the planned location. Afterwards, fasten the mounts on the installation location with washers and make sure the rod reaches the height adjustment bolt. (fixed hole diagram)

- 將L型固定片移除。

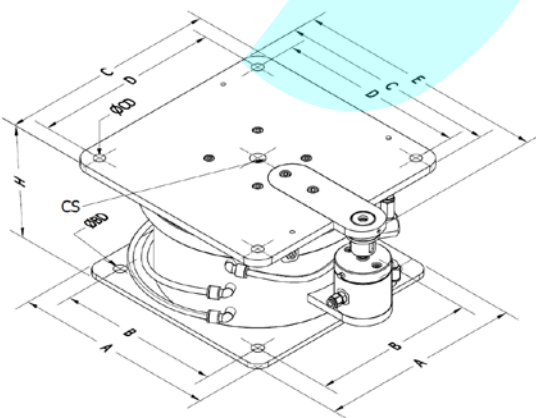
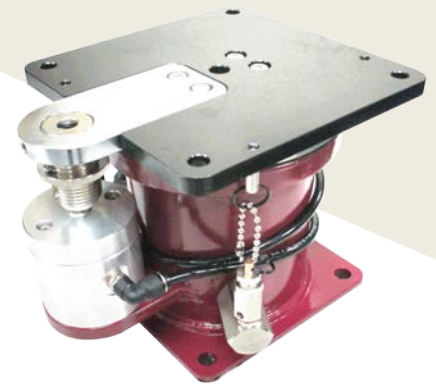
Remove L-shaped brackets.

- 安裝完成後，配接氣壓管路(參配管示意圖)。

Install pressure piping after the installation (piping diagram).

- 在充氣時，可參考內壓VS荷重資料(圖一)，利用壓力調整閥將充氣內壓調整比目前荷重值對應的內壓大，等避震器上鐵板上升時，再依荷重調整回適當內壓。

Please refer to (Fig 1) for the inner pressure vs loading information during the inflation. Apply a bigger inner pressure through the pressure gauge during the inflation. Adjust the inner pressure according to the loading after the upper iron plate arises.



型號 Type	100-SE	200-SE	400-SE	700-SE	1200-SE	2000-SE	
尺寸 Dimension (mm)	A	140	140	160	200	250	350
	B	115	115	125	160	200	300
	C	160	160	190	220	270	380
	D	135	135	150	180	230	340
	E	202	202	237	267	318	425
	H	147	147	147	147	147	147
	CS	M10	M10	M12	M12	M16	M16
	φCD	9	9	12	12	14	14
φBD	11	11	12	12	14	14	
荷重 Load	Kgs	60~110	100~220	200~480	400~720	900~1250	1200~2500

# JSC-SE 氣墊式避震器安裝說明

## JSC-SE air mounts installation guide

### 安裝說明

### Installation guide

- 避震器最大使用內壓為 $4.5\text{kg/cm}^2 = 0.44\text{Mpa}$ 。

Maximum inner pressure of the mounts is  $4.5\text{kg/cm}^2 = 0.44\text{Mpa}$ .

- 可旋轉高度調整螺母調整設備高度&水平。

Rotate the height adjustment bolt to adjust the height and level of the equipment.

- 避震器之使用高度範圍為 $155\pm 3\text{ mm}$ 。

Applied height range for the mounts is  $155\pm 3\text{ mm}$ .

- 緊急洩壓閥可依需要調整洩氣壓力。

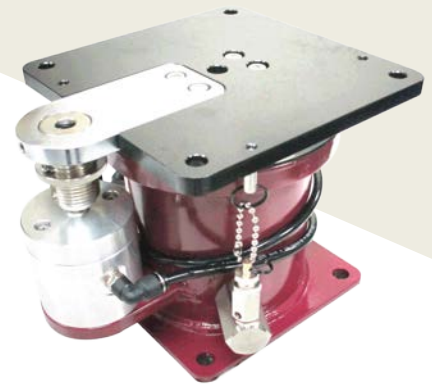
The depletion pressure of the decompression valve can be adjusted if necessary.

- 使用溫度範圍為 $-10\text{ }^{\circ}\text{C}$  . $60\text{ }^{\circ}\text{C}$ ，可安裝於室外使用。

Applied temperature range is  $-10\text{ }^{\circ}\text{C}$  . $60\text{ }^{\circ}\text{C}$  and can be applied outdoor.

- 安裝及使用時，請注意勿傷及氣門嘴及氣墊本體橡膠。

Do not damage the valve and the air cushion rubber during the installation and the application.



高度調整固定螺母  
Height adjustment fixed hex nut

安全高度調整裝置  
Safe height adjustment

設備固定孔  
Equipment fixed holes

L型固定片  
L-shaped brackets

調整閥頂桿  
Adjustment rod

進氣孔 $\phi 6$   
Air inlet

水平調整閥  
Leveling adjustment rod

避震器固定孔  
Mounts fixed holes

緊急洩氣閥  
Decompression valve

## 注意事項 Notes

※ 安裝時應注意預定位置面是否平整。

Make sure the installation location is smooth.

※ 移動機台時，請先將避震器的氣壓完全放畢。

Deflate the air within the mounts when you move the machine.

※ 避震器安裝完成後，在配管前請先充氣至標準高度。

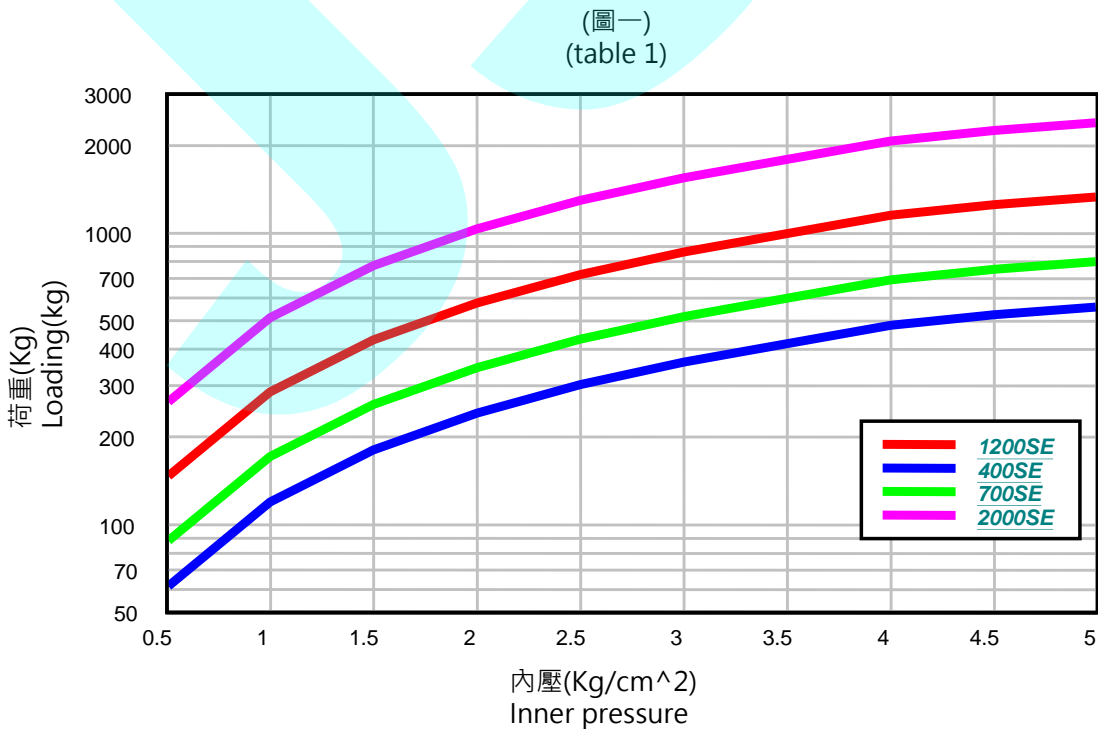
Inflate to the standard height before conducting the piping engineering.

※ 注意壓力調整閥進氣方向

Pay attention to the inflation direction inside the pressure gauge.

## 內壓 vs 荷重能力(圖一)

### Inner pressure vs loading capacity (table 1)

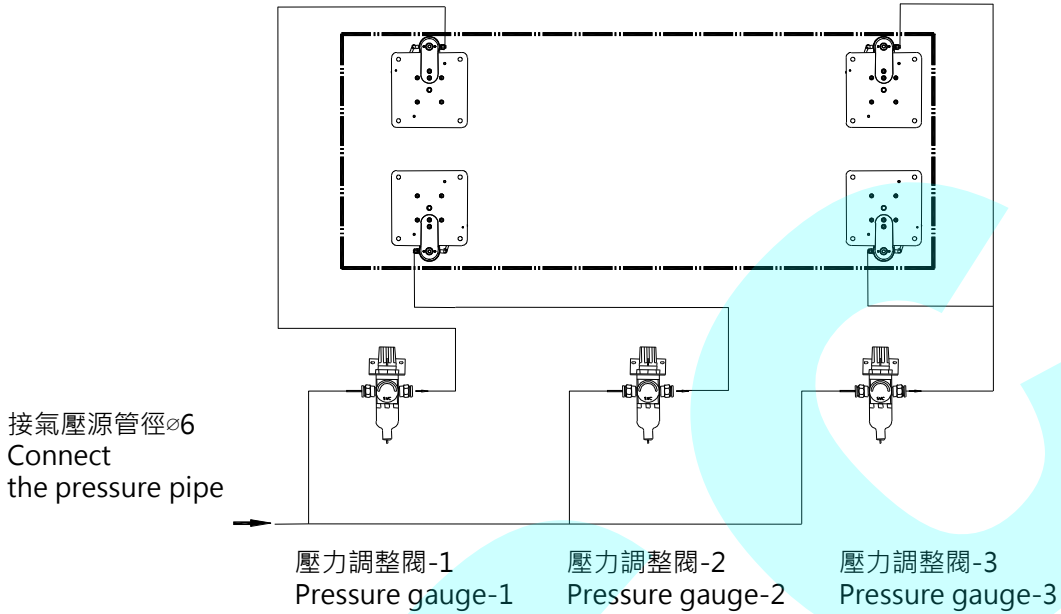


# JSC-SE 氣墊式避震器圖解說明

## JSC-SE air mounts illustration

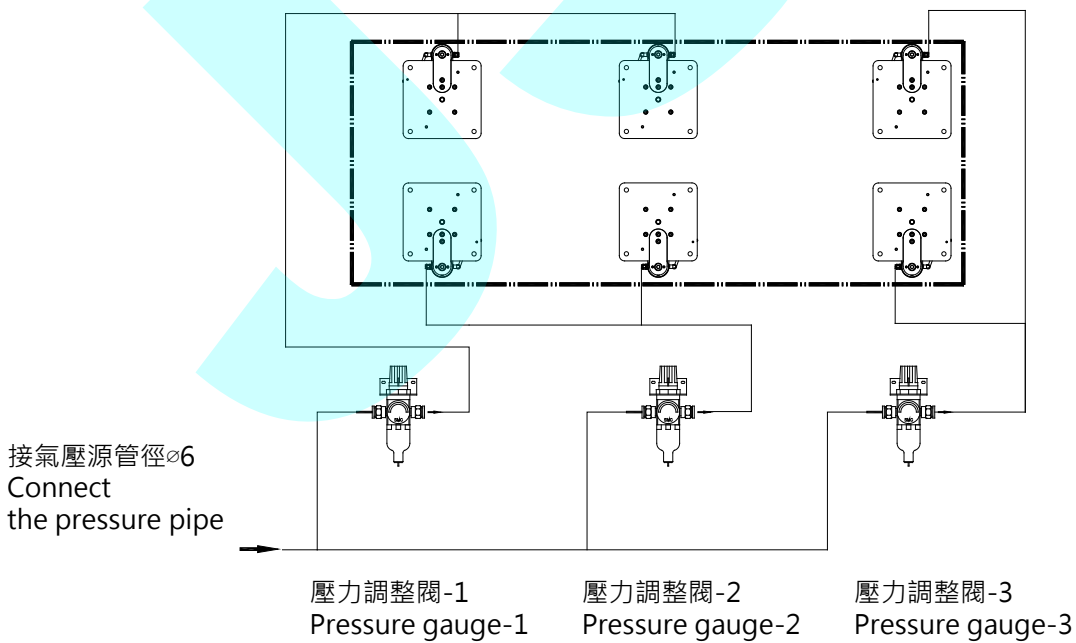
### 4支點 配管示意圖

### 4 Pipework diagram



### 6支點 配管示意圖

### 6 Pipework diagram



避震器荷重相同狀態下,可只使用1組壓力調整閥  
Apply 1 set of pressure gauge for the same loading mounts.